



SWH-10-4

SWH

- ❑ wall mounting rugged enclosure
- ❑ for meters in panel cases
- ❑ polycarbonate housing
- ❑ TPE gasket
- ❑ high IP 65 protection degree

Examples:



SWH-20-5



SWH-20-4



SWH-20-3



SWH-15B-6



SWH-10-4



SWH-10-2



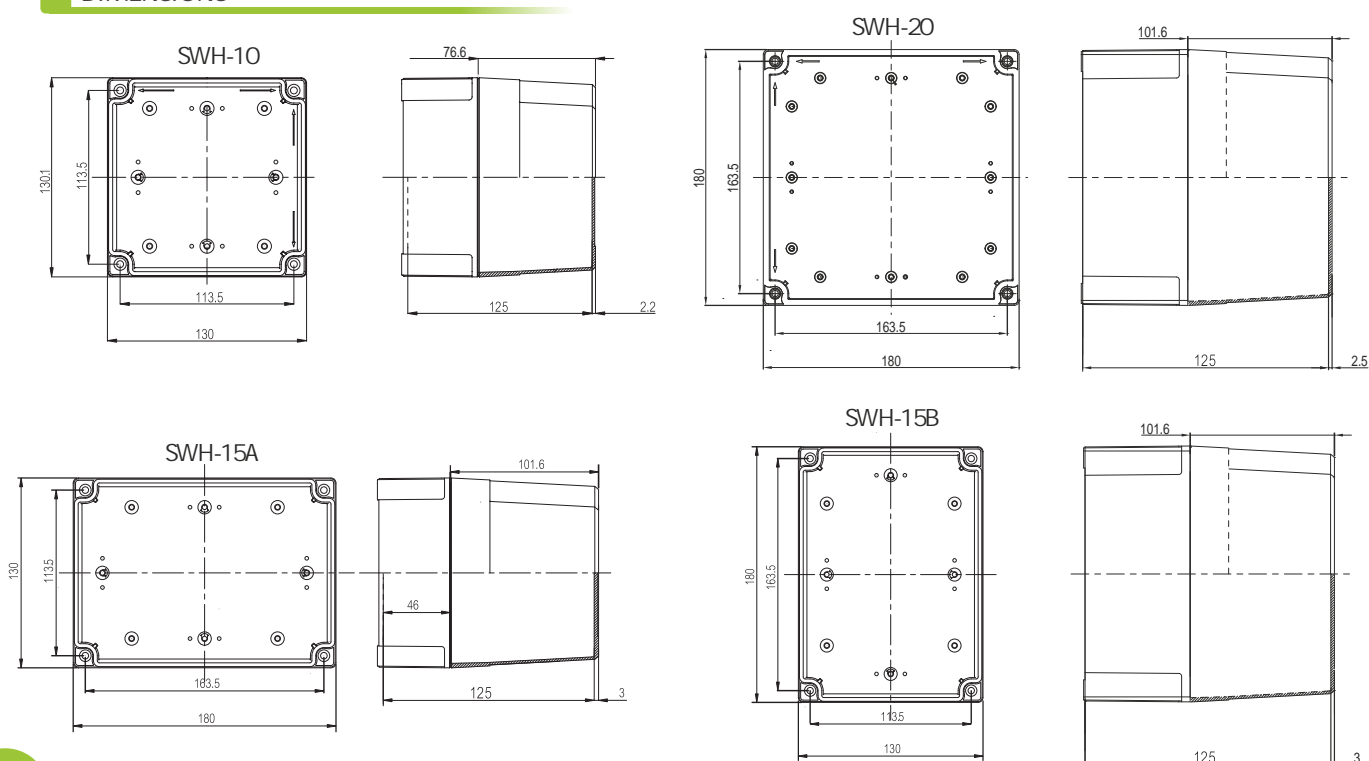
SWH-10-1



SWH-15A-3

Simex offers a variety of rugged enclosures that provide a high degree of protection against harsh operating environments. Process meters and controllers can be mounted so that all programming and operational functions are available without opening the enclosure. Enclosures and meters are ordered and packaged separately.

DIMENSIONS



TECHNICAL DATA

Operating temp.	-40°C ÷ +60°C (enclosure)
Protection class	IP 65, while maintaining the appropriate assembly conditions
Materials	enclosure: polycarbonate, gasket: TPE, cover screws: poliamid
Dimensions	SWH-10: 130x130x125 mm; SWH-15: 180x130x125 mm; SWH-20: 180x180x125 mm; mounting holes: 4 x Ø4
Connection	cable glands: from 0 to 11 (or 7) x M12 (clamping capacity 3 ÷ 6,5 mm) or from 0 to 7 (or 4) x M16 (clamping capacity 4 ÷ 8 mm) on request Ethernet or USB A connector, IP 65
Mechanical resistance	IK07 (EN 62262)

ORDERING

SWH-10-X-X-X

- hole:
 - 1: 73
 - 2: 77
 - 4: 99
- number of available glands:
 - 0: no glands (with E)
 - from 1 to 7 pcs. (M12)
 - from 1 to 4 pcs. (M16)
- glands:
 - E: no glands
 - 1: M12
 - 2: M16

SWH-20-X-X-X

- hole:
 - 1: 73
 - 2: 77
 - 3: 94
 - 4: 99
 - 5: 141
- number of available glands:
 - 0: no glands (with E)
 - from 1 to 11 pcs. (M12)
 - from 1 to 7 pcs. (M16)
- glands:
 - E: no glands
 - 1: M12
 - 2: M16

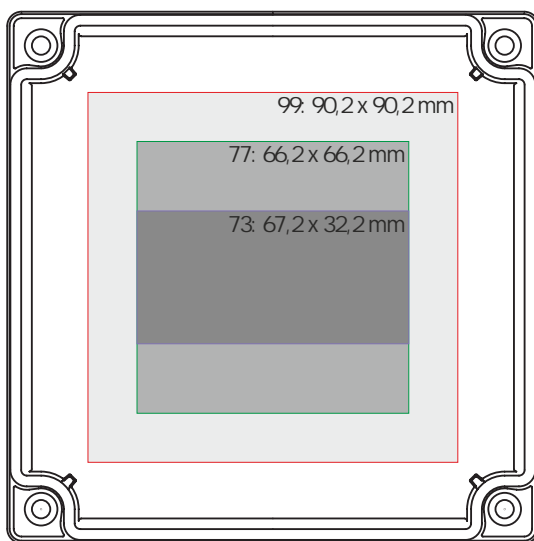
SWH-15A-X-X-X

- hole:
 - 1: 73
 - 2: 77
 - 3: 94
- number of available glands:
 - 0: no glands (with E)
 - from 1 to 11 pcs. (M12)
 - from 1 to 7 pcs. (M16)
- glands:
 - E: no glands
 - 1: M12
 - 2: M16

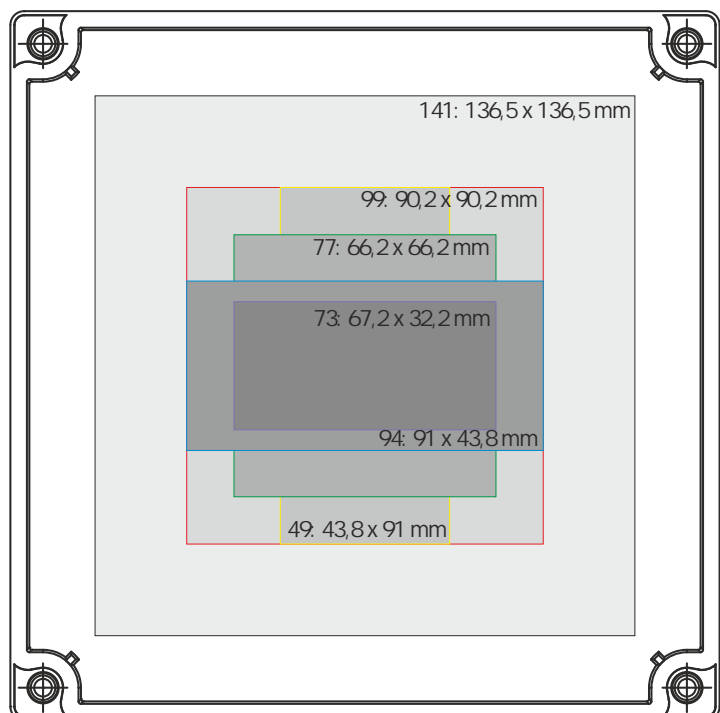
SWH-15B-X-X-X

- hole:
 - 1: 73
 - 2: 77
 - 6: 49
- number of available glands:
 - 0: no glands (with E)
 - from 1 to 7 pcs. (M12)
 - from 1 to 4 pcs. (M16)
- glands:
 - E: no glands
 - 1: M12
 - 2: M16

HOLES DIMENSIONS



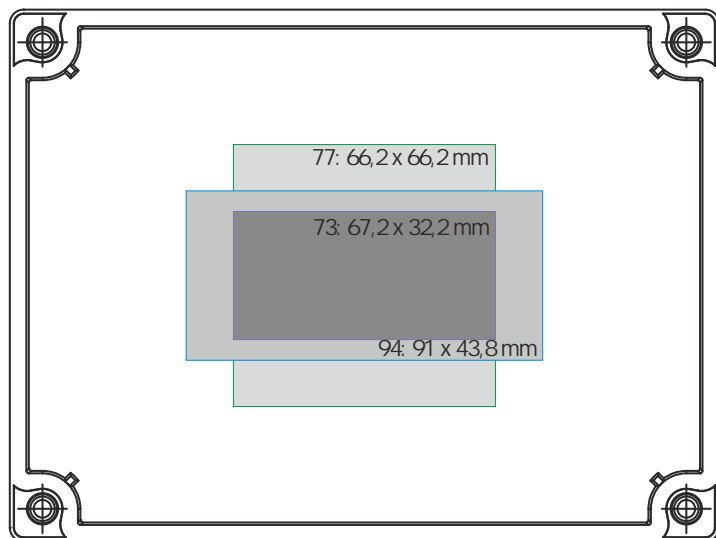
SWH-10



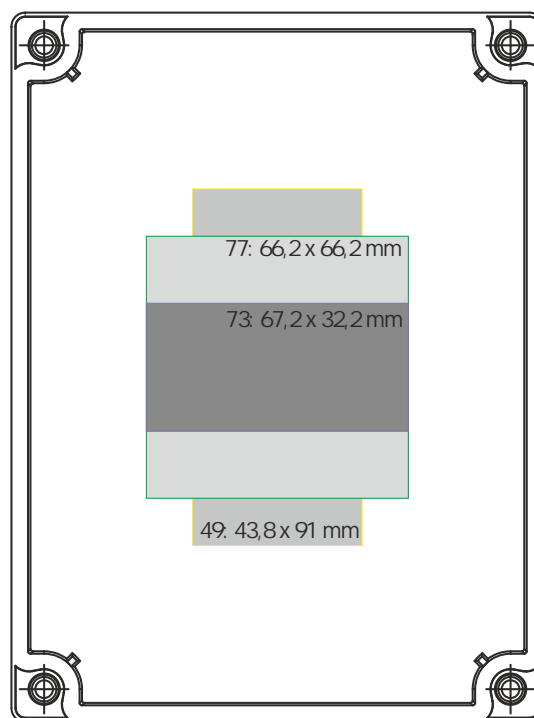
SWH-20



HOLES DIMENSIONS



SWH-15A



SWH-15B

