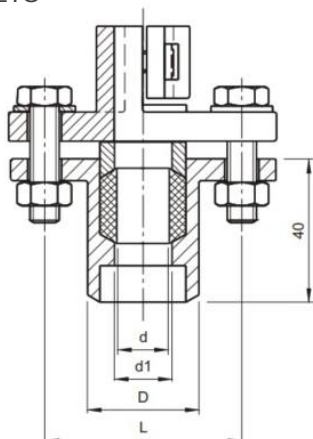


FASTENERS FOR FASTENING THE TEMPERATURE SENSORS

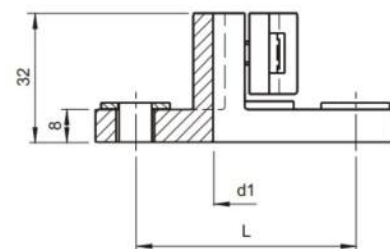
Compression fittings and mounting brackets are used as accessories for temperature sensors without threaded fittings and flanges. They are used for sensor mounting in a place of measurement, they allow immersion length adjustment since they can be mounted anywhere along the sheath. Compression fittings assure an excellent seal up to 0,1 MPa.

SUZ - MOUNTING BRACKETS

SUZ11



SUZ21



ORDERING

SUZX-X-X

bracket type:

- 11: counter flange
- 21: stop flange

sheath diameter:

- 15: Ø 15 mm
- 22: Ø 22 mm
- 32: Ø 32 mm

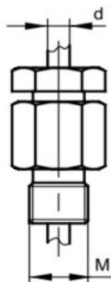
seal:

- T: teflon
- SC: ceramic rope

Bracket type	d [mm]	d1 [mm]	D [mm]	L [mm]
SUZ11-15	Ø15	16	35	55
SUZ21-15	Ø15	16	-	55
SUZ11-22	Ø22	23	40	70
SUZ21-22	Ø22	23	-	70
SUZ11-32	Ø32	33	50	70
SUZ21-32	Ø32	33	-	70

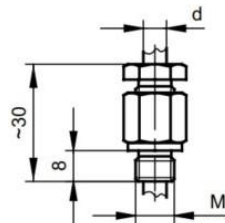
SUG - COMPRESSION FITTINGS

SUG-1



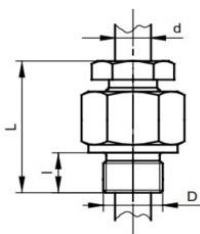
Fitting type	Thread	d [mm]
SUG-1-6	M16x1,5	Ø6
SUG-1-8	M16x1,5	Ø8
SUG-1-12	M20x1,5	Ø12
SUG-1-15	M24x2	Ø15
SUG-1-20	M30x2	Ø20

SUG-3



Fitting type	Thread	d [mm]
SUG-3-1	M8x1	Ø1
SUG-3-1,5	M8x1	Ø1,5
SUG-3-2	M8x1	Ø2
SUG-3-3	M10x1	Ø3
SUG-3-45	M10x1	Ø4,5
SUG-3-6	M10x1	Ø6
SUG-3-8	M12x1	Ø8

SUG-8



Fitting type	Thread	d [mm]	L [mm]	I [mm]	SW
SUG-8-6	M20x1,5 G1/2	Ø6	50	15	30
SUG-8-8		Ø8			
SUG-8-10		Ø10			
SUG-8-12	M27x2 G3/4	Ø12	55	20	36
SUG-8-14		Ø14			
SUG-8-15		Ø15			

ORDERING

SUGX-X

version:

- 1: material: zinc-coated steel A10, seal: ceramic rope
- 3: material: stainless steel 1.4541, seal: stainless steel ring 1.4541
- 8: material: stainless steel 1.4541, seal: stainless steel ring 1.4541, teflon

sheath diameter:

- 6: Ø 6 mm
- 8: Ø 8 mm
- other, acc. to the tables

