



SCR101

- temperature range $-50 \div 550^{\circ}\text{C}$
- operating temperature of connection heads max. 150°C
- stainless steel sheath
- optional: sensor with a replaceable measuring insert
- possibility of mounting a 4...20mA or 0...10V temperature transmitter
- connection head DANW with local display

The resistance thermometer SCR101 consists of an optional exchangeable measuring insert, outer protective tube (thermowell) and aluminum connection head, with mounting a temperature transmitter with 4...20mA or 0...10V output signal is possible. The measuring insert represents the replaceable element of the complete sensor, which reduces the time and costs of maintenance of the measuring apparatus installed in the object. Compression fittings allow simple adaptation to the required insertion length at the installation point.

Application areas

- machine construction, tanks or containers,
- fine chemical industry,
- light energy industry,
- food industry,
- general industrial services

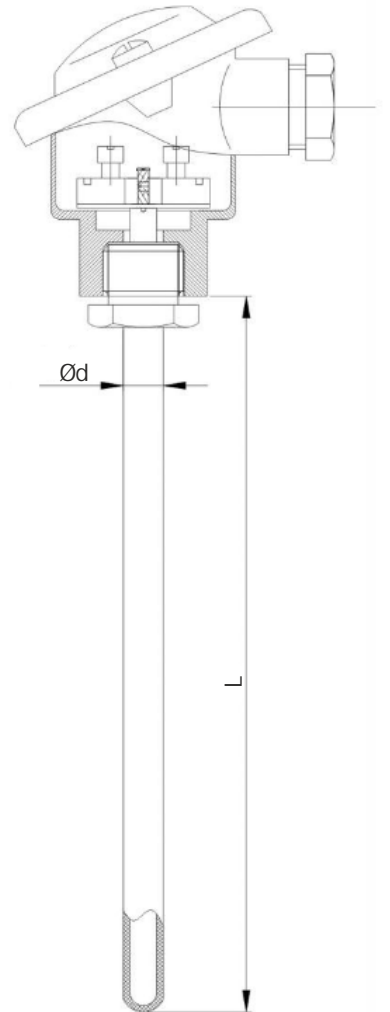
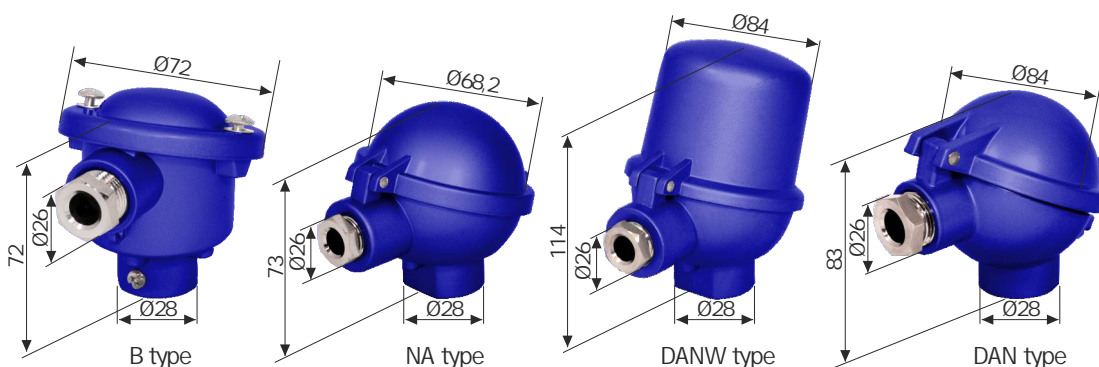
TECHNICAL DATA

Sensing element	Pt100, Pt500 or Pt1000 (2-, 3- or 4-wire)
Measuring range	$-50 \div 550^{\circ}\text{C}$
Connection head	B, NA or other, operating temperature $-40 \div 150^{\circ}\text{C}$
Class	A, B or 1/3 B
Sheath	material: stainless steel 1.4541 or other nominal length: 100mm, 160mm or other diameter: $4 \div 15\text{mm}$

RESISTOR TOLERANCE ACC. TO PN-EN 60751

Class	Tolerance [$^{\circ}\text{C}$]
1/3B	$t = 0,10 + 0,002 \times t $
A	$t = 0,15 + 0,002 \times t $
B	$t = 0,30 + 0,005 \times t $

CONNECTION HEAD TYPES



OPTIONAL ACCESORIES



S type flange
(stainless steel)

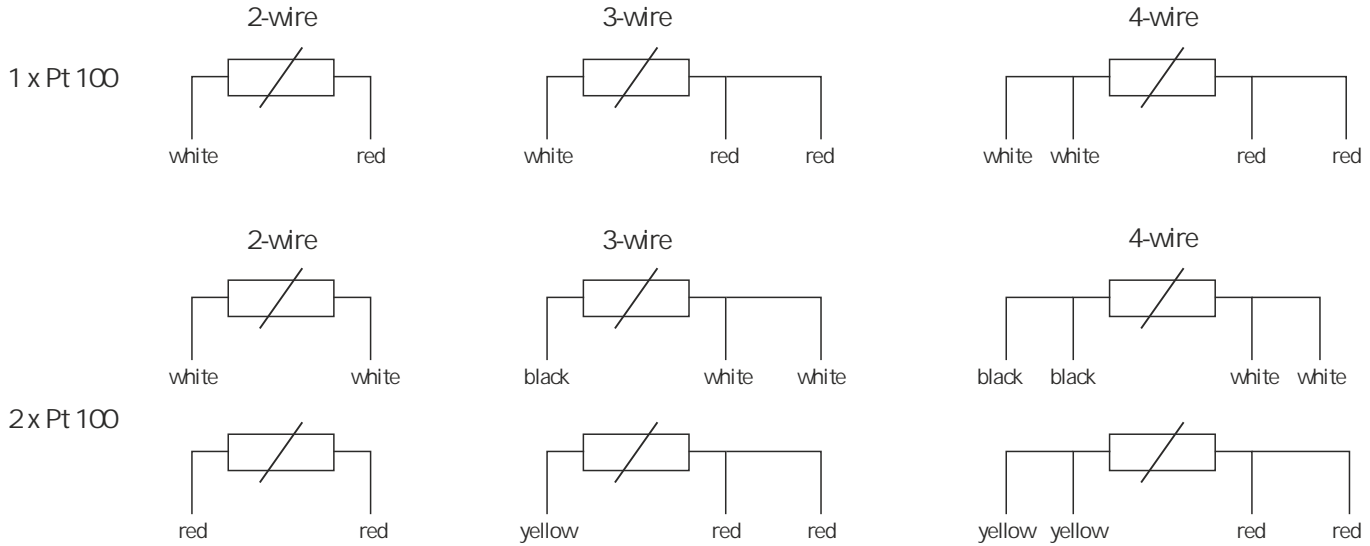


T type flange
(PTFE)

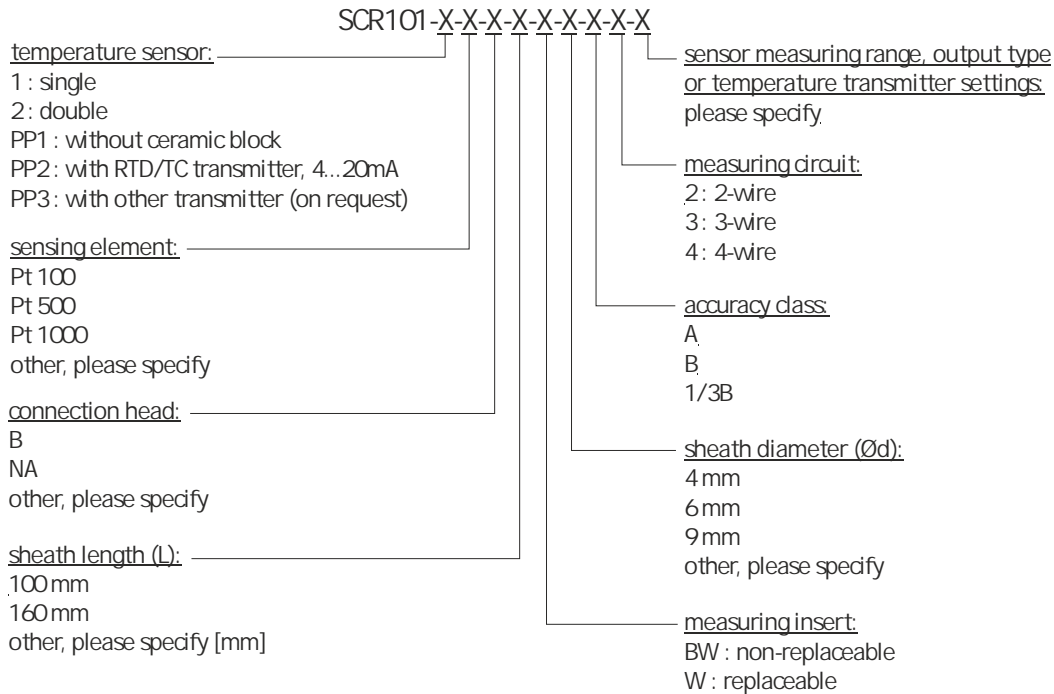


Threaded holder (fitting)
with a compression ferrule
(brass or stainless steel)

ELECTRICAL CONNECTION



ORDERING



Ordering example:

SCR101-1-Pt100-B-100-BW-6-B-2-150

Single RTD temperature sensor, 1xPt100, B tolerance class, 2-wire, non-replaceable measuring insert, B head type, sheath diameter 9 mm and length 100 mm, sensor measuring range 150°C.

