

SCR105



- temperature range $-50 \div 200^{\circ}\text{C}$
- MA type connection head
- operating temperature of connection heads max. 100°C
- stainless steel sheath
- outer thermowell with process connection

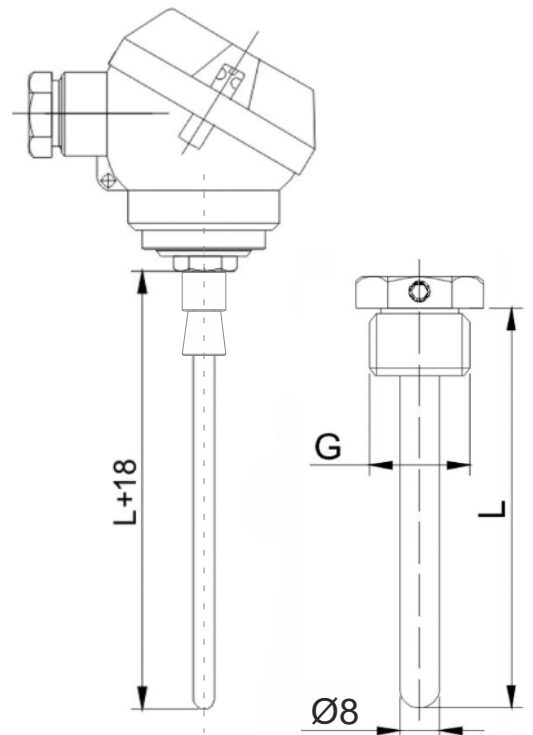
Resistance thermometer SCR105 consists of a non-exchangeable measuring insert, outer protective tube with threaded process connection (thermowell), and aluminum connection head. Miniature connection head MA type reduces the size of complete sensor construction to make possible installation in confined areas.

Application areas

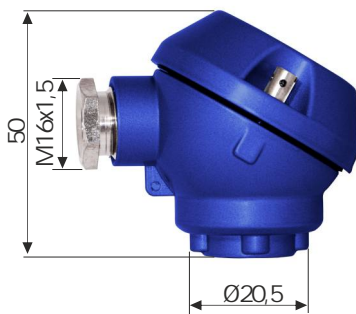
- fine chemical industry,
- light energy industry,
- general industrial services

TECHNICAL DATA

Sensing element	Pt100, Pt500 or Pt1000 (2-, 3- or 4-wire)
Measuring range	$-50 \div 200^{\circ}\text{C}$
Connection head	MA, aluminum, operating temperature $-40 \div 100^{\circ}\text{C}$
Class	A, B or 1/3 B
Sheath	material: stainless steel 1.4541 or other nominal length: 100 mm (standard) or other diameter: 8 mm
Process connection	G1/2", M20x1,5 or other



CONNECTION HEAD



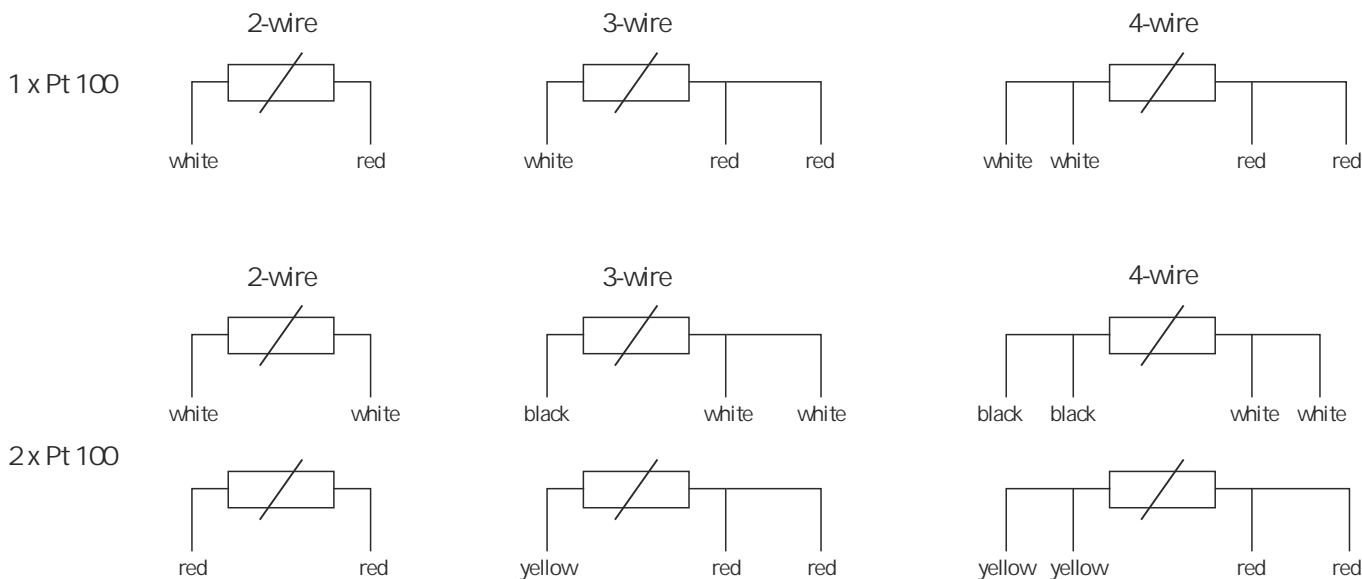
typ MA

RESISTOR TOLERANCE ACC. TO PN-EN 60751

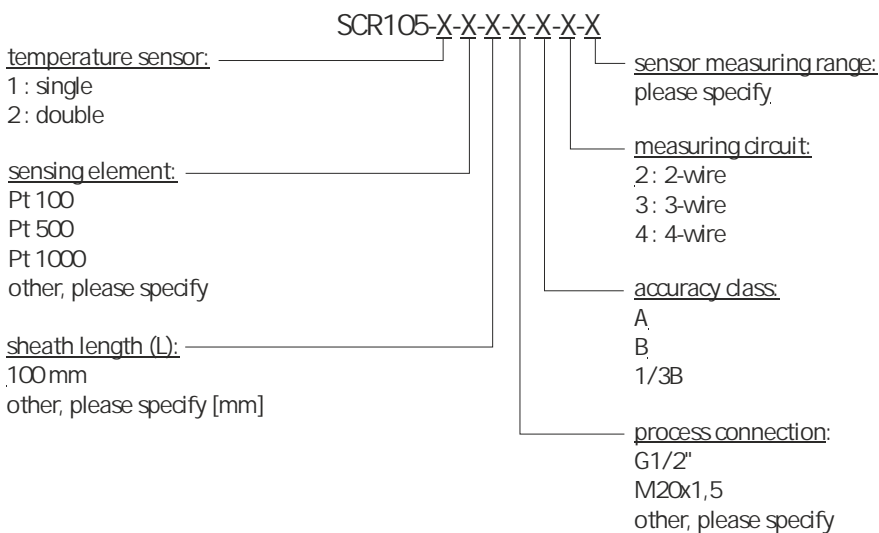
Class	Tolerance [$^{\circ}\text{C}$]
1/3B	$t = 0,10 + 0,002 \times t $
A	$t = 0,15 + 0,002 \times t $
B	$t = 0,30 + 0,005 \times t $



ELECTRICAL CONNECTION



ORDERING



Ordering example:

SCR105-1-Pt100-100-G1/2"-B-2-170

Single RTD temperature sensor, 1xPt100, B tolerance class, 2-wire, process connection G1/2", sheath length 100 mm, sensor measuring range 170°C.

