

## SCT110



- temperature range  $-50 \div 1200^{\circ}\text{C}$  depending on thermocouple
- connection head
- operating temperature of connection heads max.  $150^{\circ}\text{C}$
- sensor with a replaceable measuring insert
- acid-resistant steel sheath
- possibility of mounting a 4...20mA temperature transmitter

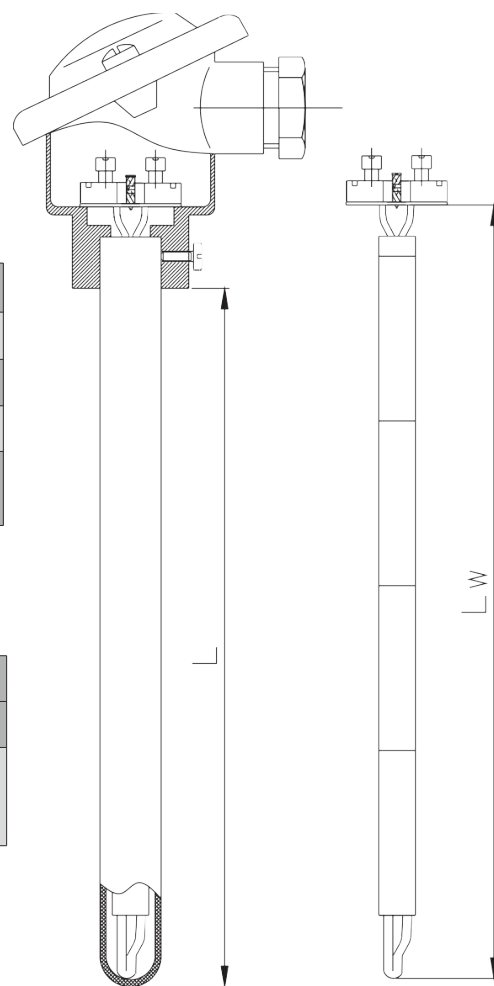
The thermocouple SCT110 consists of a replaceable insert, an outer protective tube (thermowell) made of heat-resistant steel and an aluminium connection head where a programmable temperature transmitter with a 4...20mA output signal can be installed. The measuring insert allows you to replace a faulty sensor without having to dismantle the entire measuring assembly. Immersion depth adjustment using the sliding SUZ handle with mounting thread.

### Application:

- steel and metallurgical industry
- waste processing
- metallurgical furnaces
- other industries

### TECHNICAL DATA

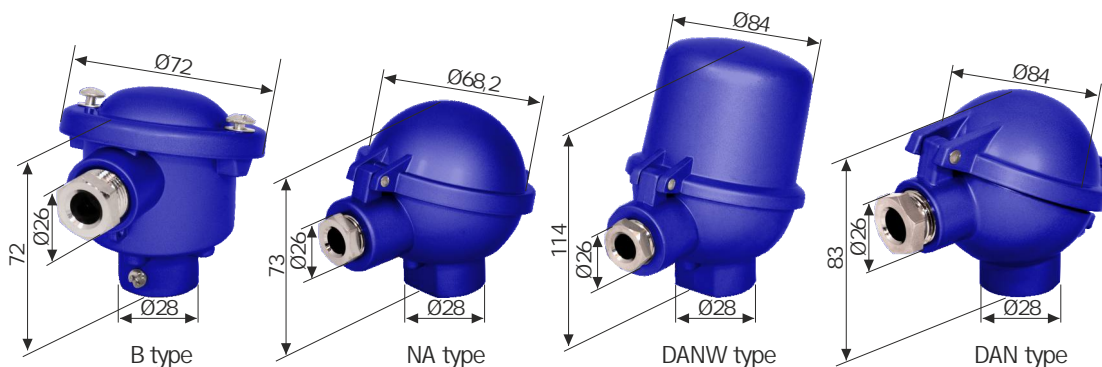
Sensing element	J, K, N, R, S, B thermocouple or other (single, double)
Measuring range	$-50 \div 1200^{\circ}\text{C}$ (depending on thermocouple and material)
Connection head	B, NA or other, operating temperature $-40 \div 150^{\circ}\text{C}$
Class	1 or 2
Sheath	material: heat-resistant steel 1.4401 or other any nominal length (specified when ordering)



### THERMOCOUPLES TOLERANCE ACC. TO PN-EN 60584

Thermocouple	Wires diameter	Class 1		Class 2	
		Temperature range	Tolerance	Temperature range	Tolerance
J (Fe-CuNi)	Ø2	$-40 \div 750^{\circ}\text{C}$	$\pm 1,5^{\circ}\text{C}$	$-40 \div 750^{\circ}\text{C}$	$\pm 2,5^{\circ}\text{C}$
K (NiCr-Ni)	Ø3	$-40 \div 1000^{\circ}\text{C}$	$\pm 0,0040^{\circ}\text{C} \times  t $	$-40 \div 1200^{\circ}\text{C}$	$\pm 0,0075^{\circ}\text{C} \times  t $
N (NiCrSi-NiSi)	Ø3	$-40 \div 1000^{\circ}\text{C}$		$-40 \div 1200^{\circ}\text{C}$	

### CONNECTION HEAD TYPES



ACCESSORIES

SUZ - MOUNTING BRACKETS

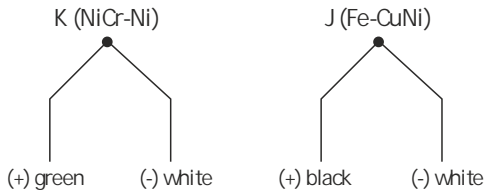


Mounting bracket  
SUZ11

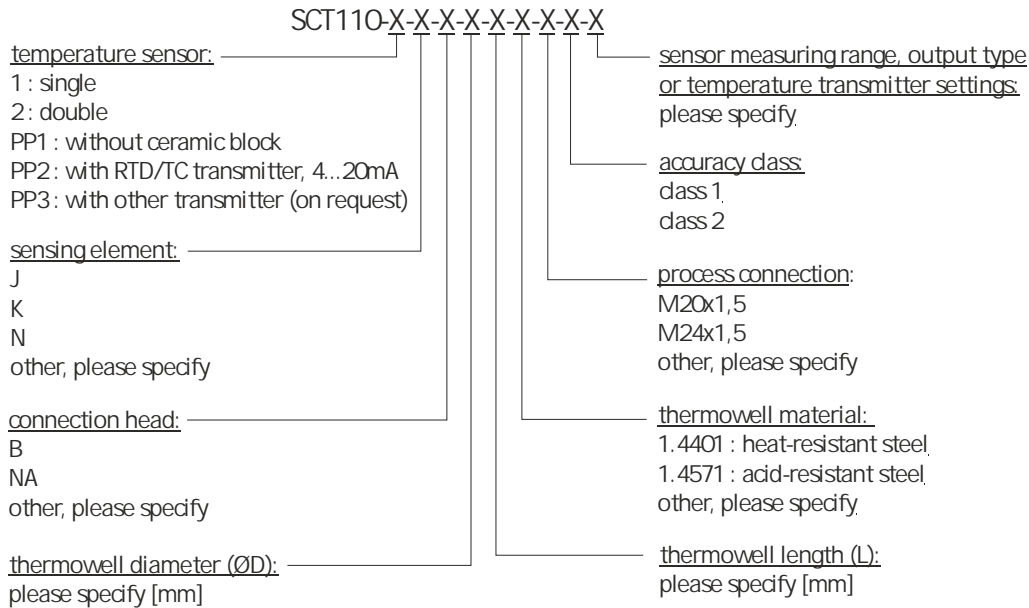


Mounting bracket  
SUZ21

ELECTRICAL CONNECTION



ORDERING



Ordering example:

SCT110-1-K-DAN-20-1000-1.4401-M20x1,5-2-(0-1200)

Single TC temperature sensor, K thermocouple, DAN type connection head, 2 tolerance class. Thermocouple with a steel 1.4401 sheath, diameter 20 mm, length 1000 mm. Sensor with process connection M20x1,5 and measurement range 0..1200°C.

