

SCR121



- temperature range $-50 \div 550^{\circ}\text{C}$
- operating temperature of connection heads max. 150°C
- stainless steel sheath
- drilled pressure sheath
- sensor with a replaceable measuring insert
- possibility of mounting a 4...20mA or 0...10V temperature transmitter
- connection head DANW with local display

The resistance thermometer SCR121 consists of an exchangeable measuring insert, outer protective tube (thermowell), drilled pressure sheath, and aluminum connection head. Intended for measuring the temperature of pipelines, tanks, boilers in difficult conditions. Mounting a temperature transmitter with 4...20mA or 0...10V output signal is possible. The measuring insert represents the replaceable element of the complete sensor, which reduces the time and costs of maintenance of the measuring apparatus installed in the object. Spring fixation of the measuring insert provides perfect pressure to the bottom of the protecting tube, reduces the time of reaction of temperature changes, and increases the accuracy. It also reduces natural vibration. Thus, mechanical and electrical defects can be avoided.

Application areas:

- technological installations in various industries,
- temperature measurement of pipelines, tanks, boilers,
- measurement of all media (gases, liquids, solids).

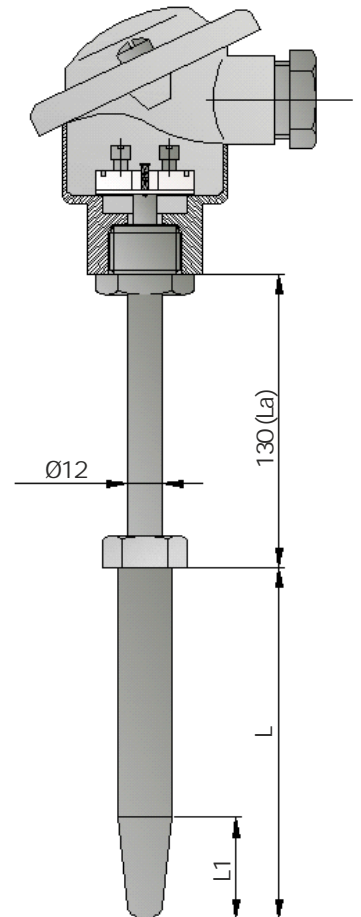
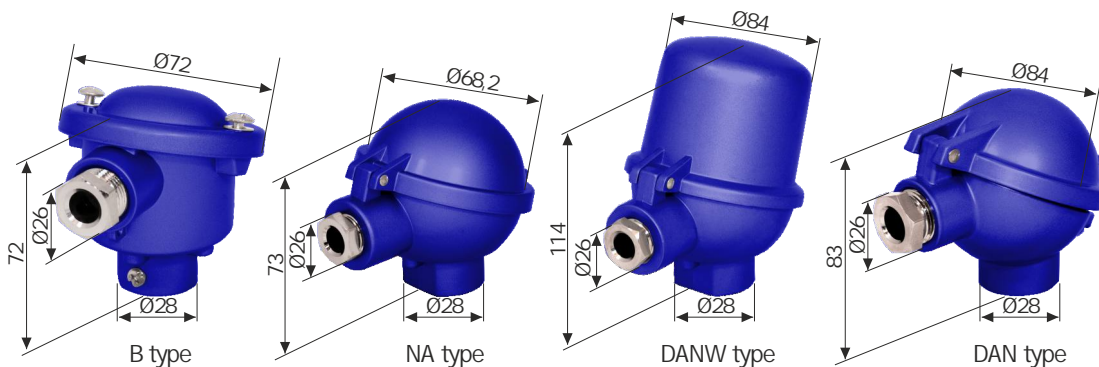
TECHNICAL DATA

Sensing element	Pt100 (2-, 3- or 4-wire) or other
Measuring range	$-50 \div 550^{\circ}\text{C}$
Connection head	B, NA or other, operating temperature $-40 \div 150^{\circ}\text{C}$
Class	A or B
Sheath	material: stainless steel 1.4541 or other nominal length: 130 mm (standard) or other diameter: 18, 24 or 26 mm

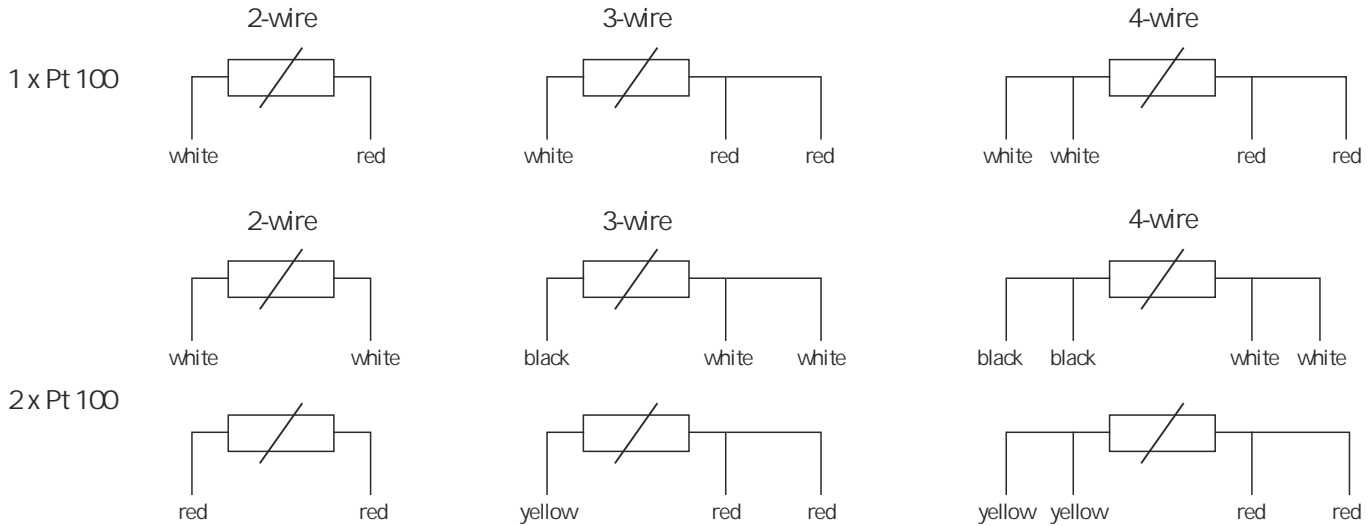
RESISTOR TOLERANCE ACC. TO PN-EN 60751

Class	Tolerance [$^{\circ}\text{C}$]
A	$t = 0,15 + 0,002 \times t $
B	$t = 0,30 + 0,005 \times t $

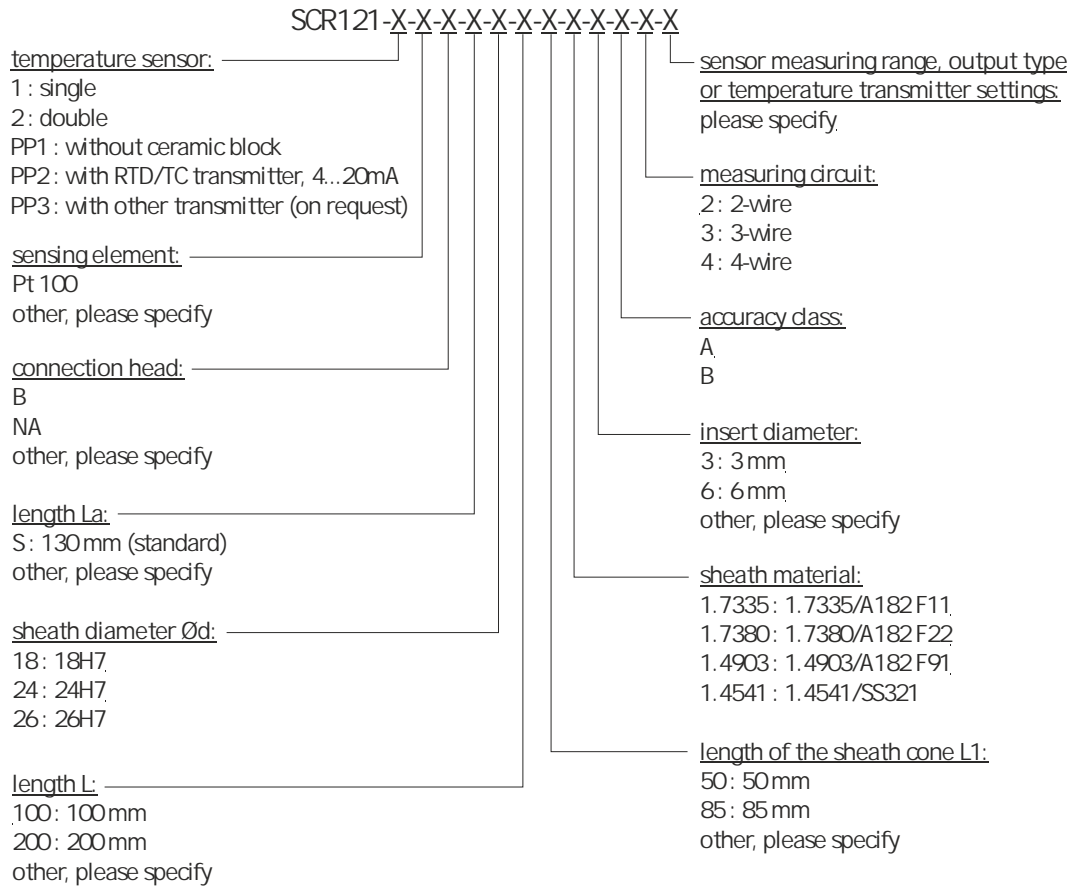
CONNECTION HEAD TYPES



ELECTRICAL CONNECTION



ORDERING



Ordering example:

SCR121-1-Pt100-B-S-18-100-50-1.4541-3-B-2-(-10-500)

Single RTD temperature sensor, 1xPt100, B tolerance class, 2-wire, with replaceable measuring insert diameter 3 mm, B head type, pressure sheath diameter 18 mm, length 100 mm, stainless steel 1.4541 sheath, sheath cone 50 mm, sensor measuring range -10 to 500°C.

