

SCR205



- temperature range $-50 \div 400^{\circ}\text{C}$ (depending on the cable used)
- mounting through the hole $\text{Ø}4,5$ mm in the thermowell
- sheath made of aluminum, brass or stainless steel
- thermowell spring protection against excessive cable bending

Resistance thermometers SCR205 are designed for assembling directly onto machine parts or other construction elements. Consist of a thermoresistor, protection tube made out of stainless steel, aluminum, or brass, and connection cable.




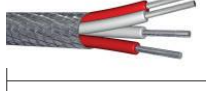



Application areas:

- fine chemical industry,
- light energy industry,
- general industrial services.

TECHNICAL DATA

Sensing element	Pt100, Pt500 or Pt1000 (2-, 3- or 4-wire)
Measuring range	$-50 \div 400^{\circ}\text{C}$ (depending on the cable used)
Class	A, B or 1/3 B
Sheath	material: aluminum, brass or stainless steel length: 50 mm (standard) or other according to order
Cable	type according to the table, standard length 1500 mm or other according to order

CONNECTION CABLES

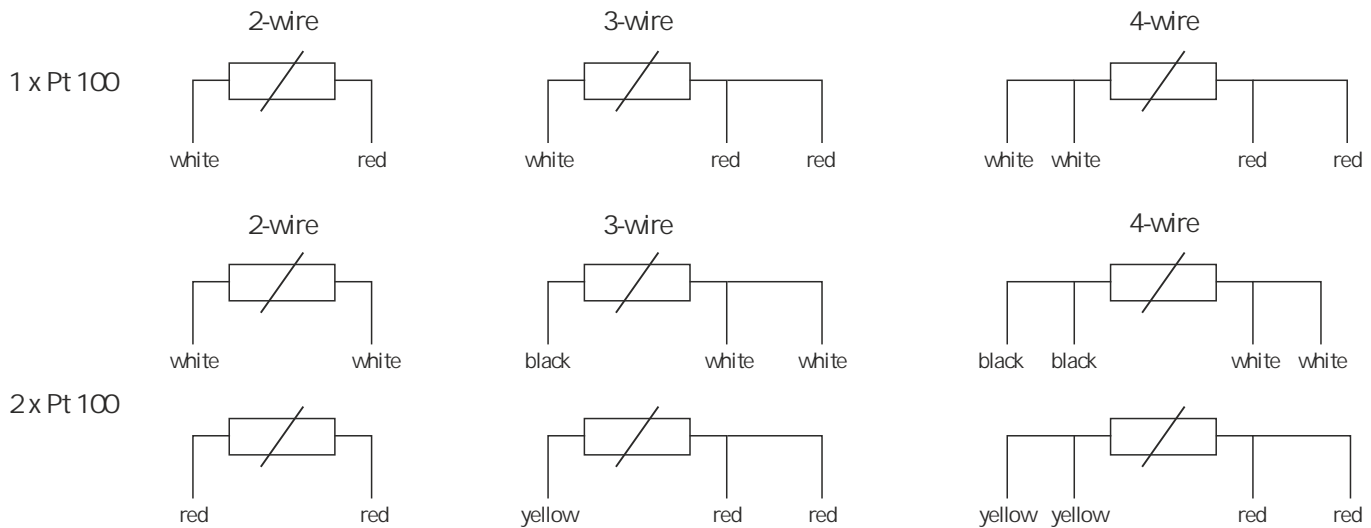
Diagram	Insulation design	Temperature range	Code
	Double fiberglass - stainless steel	400°C max.	WS
	PVC	105°C max.	PVC
	Teflon - stainless steel - teflon	260°C max.	TOT
	Teflon - stainless steel	260°C max.	TO
	Silicon - stainless steel - silicon	180°C max.	SOS
	Silicon - silicon	250°C max.	SS
	Teflon - teflon	260°C max.	TT



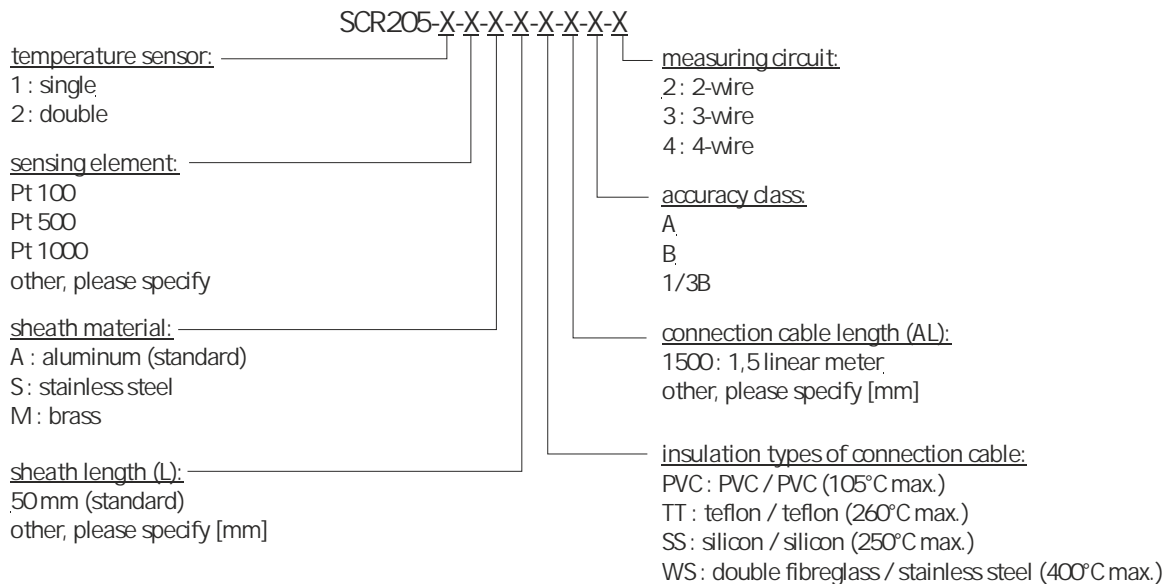
RESISTOR TOLERANCE ACC. TO PN-EN 60751

Class	Tolerance [°C]
1/3B	$t = 0,10 + 0,002 \times t $
A	$t = 0,15 + 0,002 \times t $
B	$t = 0,30 + 0,005 \times t $

ELECTRICAL CONNECTION



ORDERING



Ordering example:

SCR205-1-Pt100-A-50-WS-1500-B-2

Single RTD temperature sensor, 1xPt100, B tolerance class, 2-wire, aluminum thermowell with standard length 50 mm, double fibreglass insulation, connection cable length 1500 mm.

