

SCT206



- temperature range $-40 \div 400^{\circ}\text{C}$ (depending on the cable used)
- mounting using a $\text{Ø}4$ mm pin placed in a M4 hole
- stainless steel or brass sheath
- thermowell spring protection against excessive cable bending

The thermocouples SCT206 are designed for assembling directly onto machine parts or other construction elements. Consist of a thermocouple sensor, protection tube, made out of stainless steel or brass, and connection cable.

Application areas:

- fine chemical industry,
- light energy industry,
- general industrial services.

TECHNICAL DATA

Sensing element	J, K, N, R, S, B thermocouple or other (single, double)
Measuring range	$-40 \div 400^{\circ}\text{C}$ (depending on the cable used)
Class	1 or 2
Sheath	material: brass or stainless steel
Cable	type according to the table, standard length 1500 mm or other according to order

CONNECTION CABLES

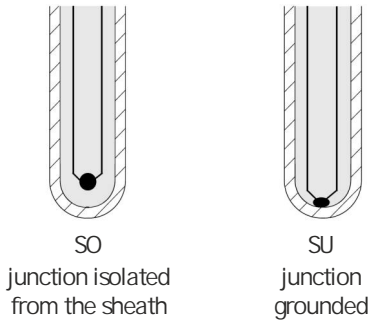
Diagram	Insulation design	Temperature range	Code
	Double fiberglass - stainless steel	$-40 \div 400^{\circ}\text{C}$	WS
	PVC	$-10^{\circ}\text{C} \div 105^{\circ}\text{C}$	PVC
	Teflon - stainless steel - teflon	260°C max.	TOT
	Teflon - stainless steel	260°C max.	TO
	Silicon - stainless steel - silicon	180°C max.	SOS
	Silicon - silicon	$-30^{\circ}\text{C} \div 250^{\circ}\text{C}$	SS
	Teflon - teflon	$-40^{\circ}\text{C} \div 260^{\circ}\text{C}$	TT



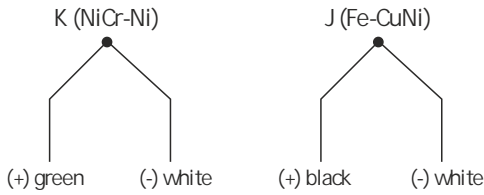
THERMOCOUPLES TOLERANCE ACC. TO PN-EN 60584

Thermocouple	Class 1		Class 2	
	Temperature range	Tolerance	Temperature range	Tolerance
J (Fe-CuNi)	-40 ÷ 750°C	± 1,5°C	-40 ÷ 750°C	± 2,5°C
K (NiCr-Ni)	-40 ÷ 1000°C	± 0,0040°C x t	-40 ÷ 1200°C	± 0,0075°C x t
N (NiCr-Si-NiSi)	-40 ÷ 1000°C		-40 ÷ 1200°C	
B (PtRh30-PtRh6)	-	-	600 ÷ 1700°C	± 0.0025°C x t
R (PtRh13-Pt)	0 ÷ 1100°C	± 1.0°C	0 ÷ 600°C	± 1.5°C
S (PtRh10-Pt)	1100 ÷ 1600°C	± [1+0.003(t-1100)]°C	600 ÷ 1600°C	± 0.0025°C x t

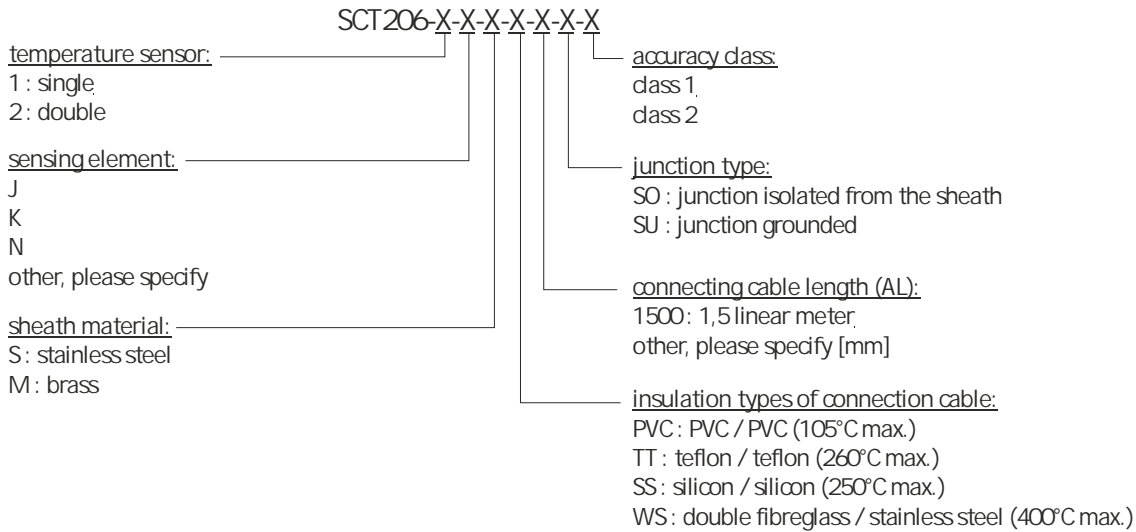
TYPES OF MEASURING HOT JUNCTION



ELECTRICAL CONNECTION



ORDERING



Ordering example:
SCT206-1-J-M-WS-1500-SO-2
Single TC temperature sensor, K thermocouple, 2 tolerance class, brass thermowell, double fibreglass insulation, connection cable length 1500 mm, hot junction isolated from the sheath.

