



## SCR122

- temperature range  $-50 \div 550^{\circ}\text{C}$  with replaceable measuring insert  
 $-50 \div 450^{\circ}\text{C}$  without replaceable measuring insert
- operating temperature of connection heads max.  $150^{\circ}\text{C}$
- stainless steel sheath
- drilled pressure sheath
- possibility of mounting a 4...20mA or 0...10V temperature transmitter
- connection head DANW with local display

The resistance thermometer SCR122 is intended for measuring the temperature of pipelines, tanks, machines and devices in various industrial installations. The sensor consists of an aluminum connection head and a stepped sheath of a given diameter, which results in increased measurement dynamics. The sensor is made with a replaceable measuring insert, which makes it possible to regenerate the element without having to dismantle the entire cover.

### Application areas

- industrial and technological installations in various industries,
- temperature measurement of pipelines, tanks, boilers,
- measurement of all media (gases, liquids, solids).

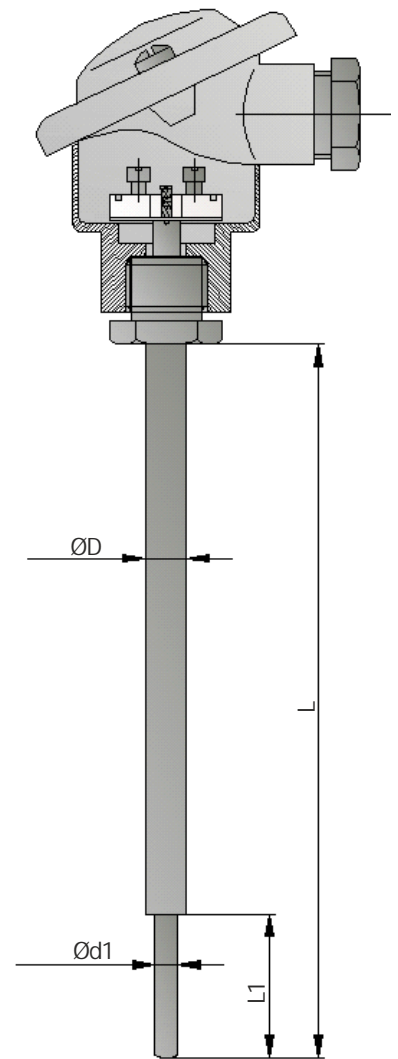
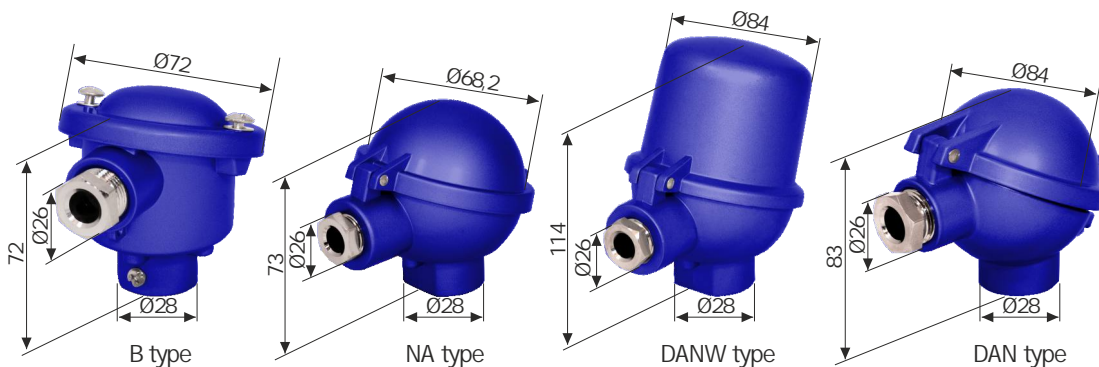
### TECHNICAL DATA

Sensing element	Pt100, Pt500 or Pt1000 (2-, 3- or 4-wire) or other
Measuring range	$-50 \div 550^{\circ}\text{C}$ (with replaceable measuring insert); $-50 \div 450^{\circ}\text{C}$ (without replaceable measuring insert)
Connection head	B, NA, MA, DAN or other, operating temperature $-40 \div 150^{\circ}\text{C}$
Class	A or B
Sheath	material: stainless steel 1.4541 nominal length: 100 mm or other (specified when ordering) diameter: 6, 8 mm or other

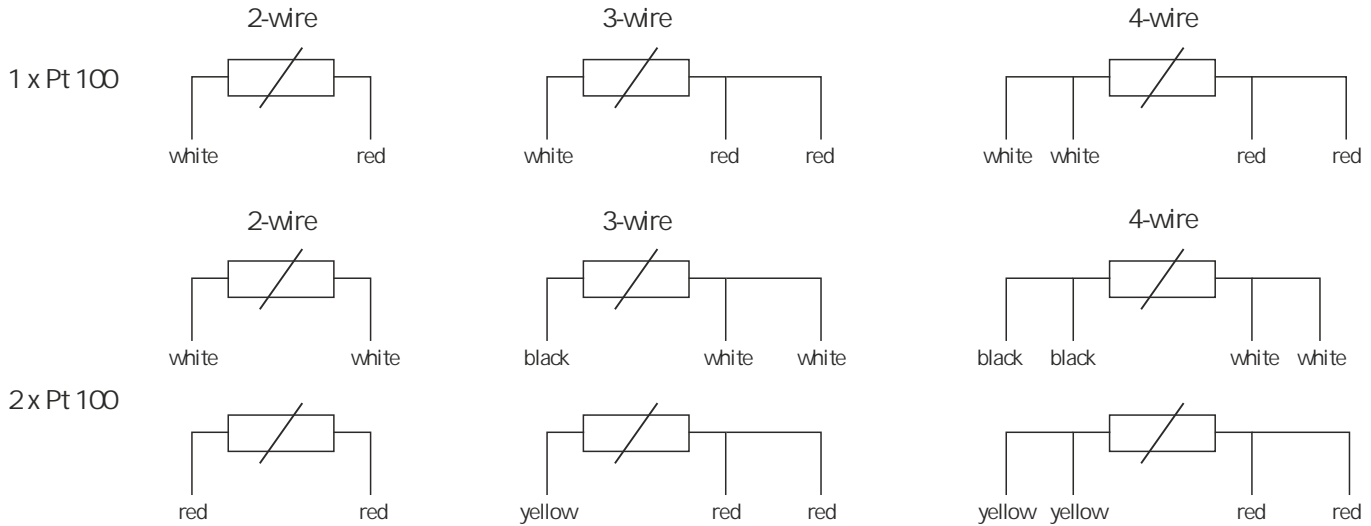
### RESISTOR TOLERANCE ACC. TO PN-EN 60751

Class	Tolerance [ $^{\circ}\text{C}$ ]
A	$t = 0,15 + 0,002 \times  t $
B	$t = 0,30 + 0,005 \times  t $

### CONNECTION HEAD TYPES



## ELECTRICAL CONNECTION



## ORDERING

SCR122-X-X-X-X-X-X-X-X-X

temperature sensor:  
 1 : single  
 2 : double  
 PP1 : without ceramic block  
 PP2 : with RTD/TC transmitter, 4...20mA  
 PP3 : with other transmitter (on request)

sensing element:  
 Pt 100  
 Pt 500  
 Pt 1000  
 other, please specify

connection head:  
 B  
 NA  
 other, please specify

total length of sheath (L):  
 100 : 100 mm  
 200 : 200 mm  
 other, please specify

length of stepped sheath (L1):  
 20 : 20 mm  
 30 : 30 mm  
 other, please specify

sensor measuring range, output type or temperature transmitter settings:  
 please specify.

measuring circuit:  
 2 : 2-wire  
 3 : 3-wire  
 4 : 4-wire

accuracy class:  
 A  
 B

construction:  
 BW : without replaceable measuring insert  
 W : with replaceable measuring insert

sheath diameter (ØD/Ød1):  
 6/4 : Ø 6/4 mm  
 8/6 : Ø 8/6 mm  
 other, please specify

Ordering example:

SCR122-1-Pt500-B-100-30-8/6-W-B-2-(-10-500)

Single RTD temperature sensor, 1xPt500, B tolerance class, 2-wire, with replaceable measuring insert, B head type, pressure sheath diameter 8 mm, length 100 mm, stepped part with a length of 30 mm and a diameter of 6 mm, sensor measuring range -10 to 500°C.

