

SCR102-Exi



- temperature range $-40 \div 550^{\circ}\text{C}$
- operating temperature of connection heads max. 150°C
- stainless steel sheath
- mounting flange
- possibility of mounting a 4...20mA temperature transmitter

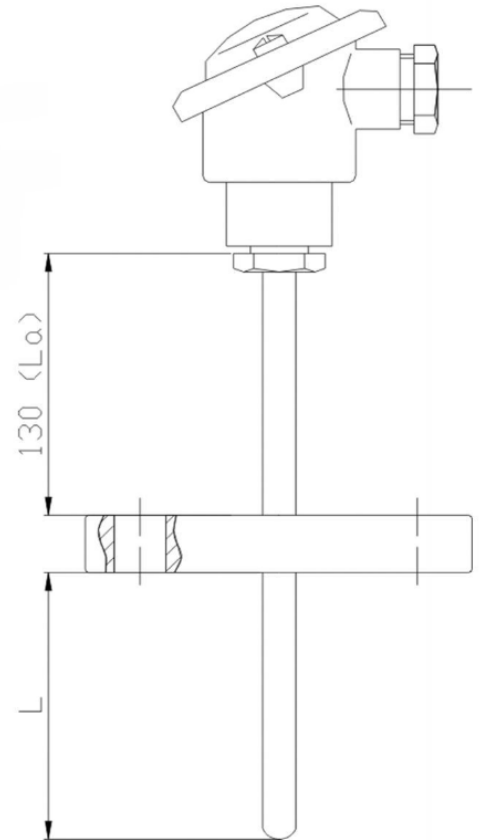
The resistance thermometer SCR102-Exi consists of an exchangeable measuring insert, outer protective tube (thermowell) with neck, and aluminum connection head. Mounting a temperature transmitter with 4...20mA output signal is possible. The measuring insert represents the replaceable element of the complete sensor, which reduces the time and costs of maintenance of the measuring apparatus installed in the object. Spring fixation of the measuring insert provides perfect pressure to the bottom of the protecting tube, reduces the time of reaction of temperature changes, and increases the accuracy. It also reduces natural vibration. Thus, mechanical and electrical defects can be avoided.

Application areas

- fine chemical industry,
- light energy industry,
- general industrial services

TECHNICAL DATA

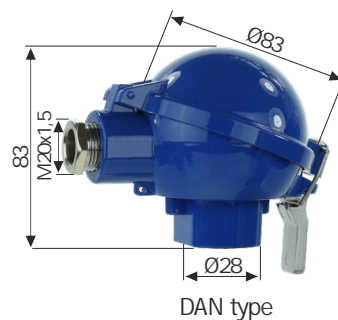
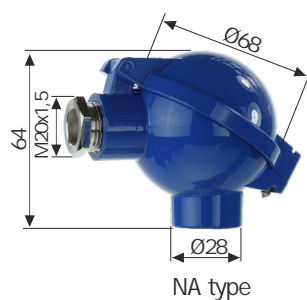
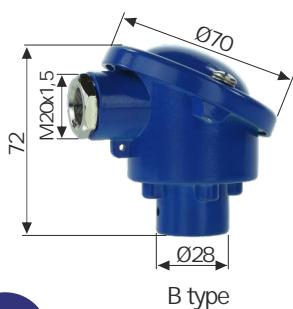
Sensing element	Pt100, Pt500 or Pt1000 (2-, 3- or 4-wire)
Measuring range	$-40 \div 550^{\circ}\text{C}$
Connection head	B, NA or other, operating temperature $-40 \div 150^{\circ}\text{C}$
Class	A, B or 1/3 B
Sheath	material: stainless steel 1.4541 or other nominal length: 130 mm (standard) or other diameter: 8, 9, 10, 11, 12, 15 mm flange: DN20, DN25 or other
ATEX approval	II 1G Ex ia IIC T4-T1 Ga; II 1D Ex ia IIIC T135°C:-450°C Da



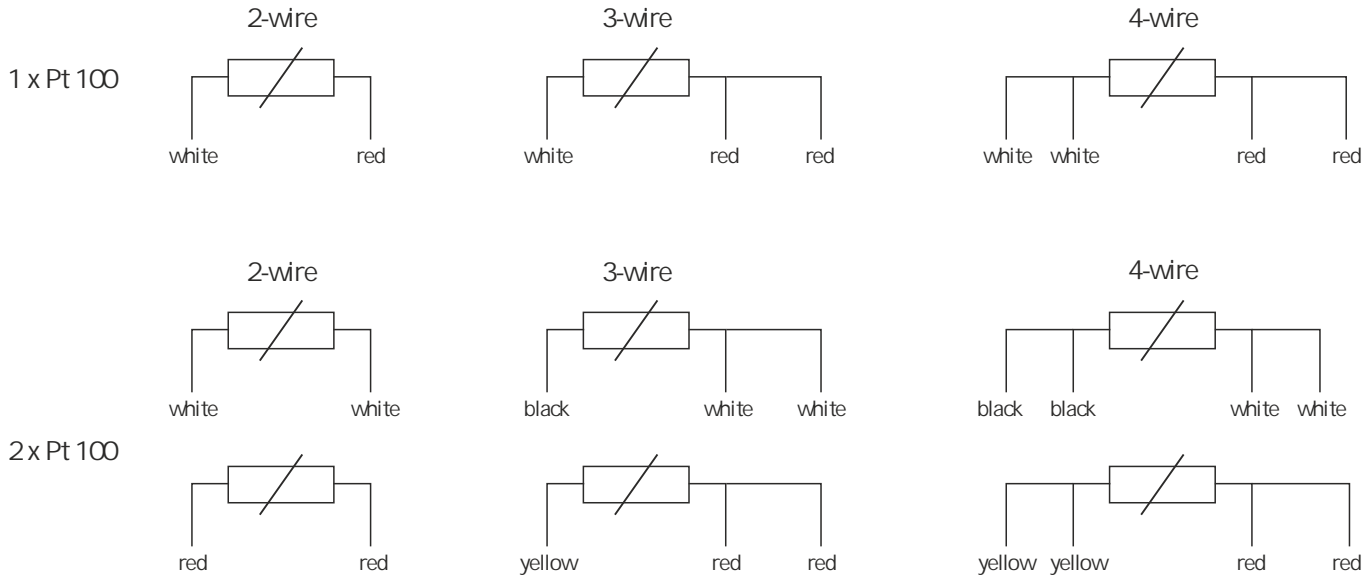
RESISTOR TOLERANCE ACC. TO PN-EN 60751

Class	Tolerance [$^{\circ}\text{C}$]
1/3B	$t = 0,10 + 0,002 \times t $
A	$t = 0,15 + 0,002 \times t $
B	$t = 0,30 + 0,005 \times t $

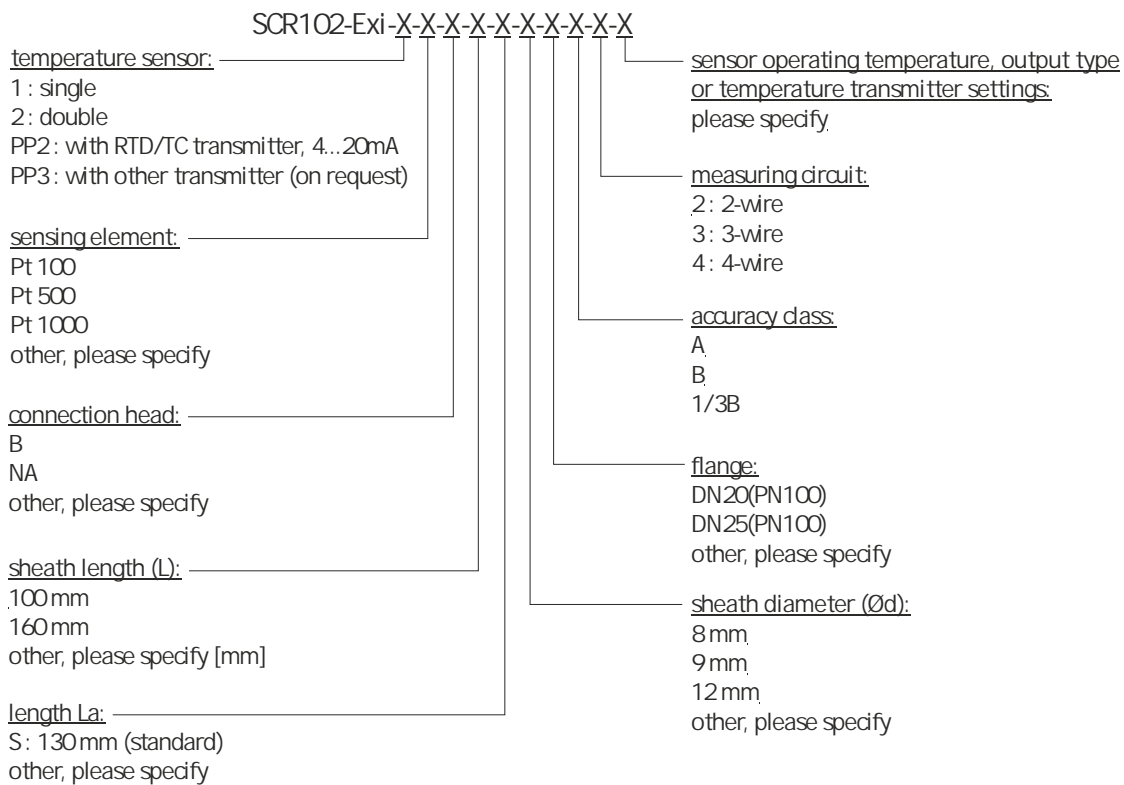
CONNECTION HEAD TYPES



ELECTRICAL CONNECTION



ORDERING



Ordering example:

SCR102-Exi-1-Pt100-B-100-S-9-DN20(PN100)-B-2-150

Single RTD intrinsically safe temperature sensor, 1xPt100, B tolerance class, 2-wire, B head type, sheath diameter 9 mm and length 100 mm, process connection flange DN20 (PN100), max. operating temperature 150°C.

