



SCR105-Exi

- temperature range $-40 \div 200^{\circ}\text{C}$
- MA type connection head
- operating temperature of connection heads max. 100°C
- stainless steel sheath
- outer thermowell with process connection

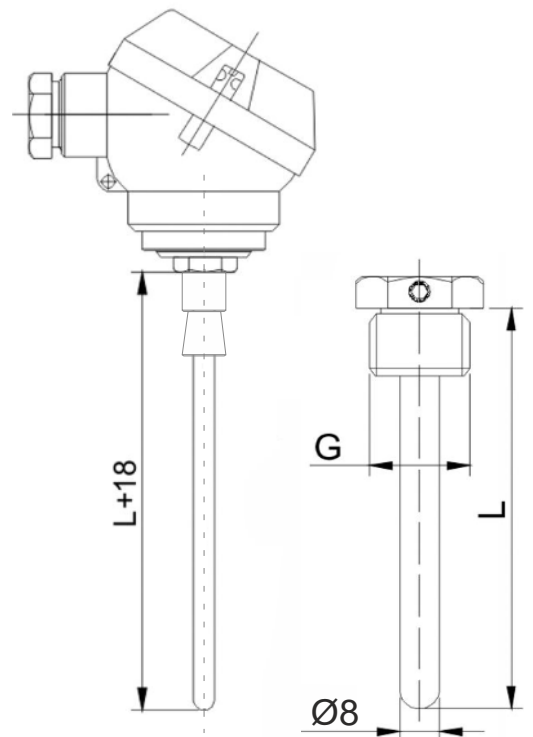
Resistance thermometer SCR105-Exi consists of a non-exchangeable measuring insert, outer protective tube with threaded process connection (thermowell), and aluminum connection head. Miniature connection head MA type reduces the size of complete sensor construction to make possible installation in confined areas.

Application areas

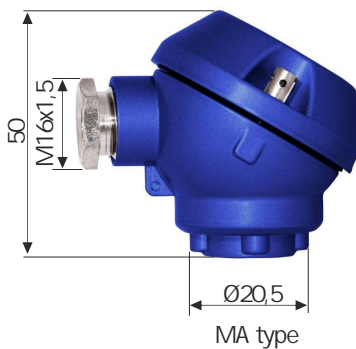
- fine chemical industry,
- light energy industry,
- general industrial services.

TECHNICAL DATA

Sensing element	Pt100, Pt500 or Pt1000 (2-, 3- or 4-wire)
Measuring range	$-40 \div 200^{\circ}\text{C}$
Connection head	MA, aluminum, operating temperature $-40 \div 100^{\circ}\text{C}$
Class	A, B or 1/3 B
Separate thermowell	material: stainless steel 1.4541 or other nominal length: 100 mm (standard) or other diameter: 8 mm
Process connection	G1/2", M20x1,5 or other
ATEX approval	II 1G Ex ia IIC T4-T1 Ga; II 1D Ex ia IIIC T135°C=450°C Da



CONNECTION HEAD

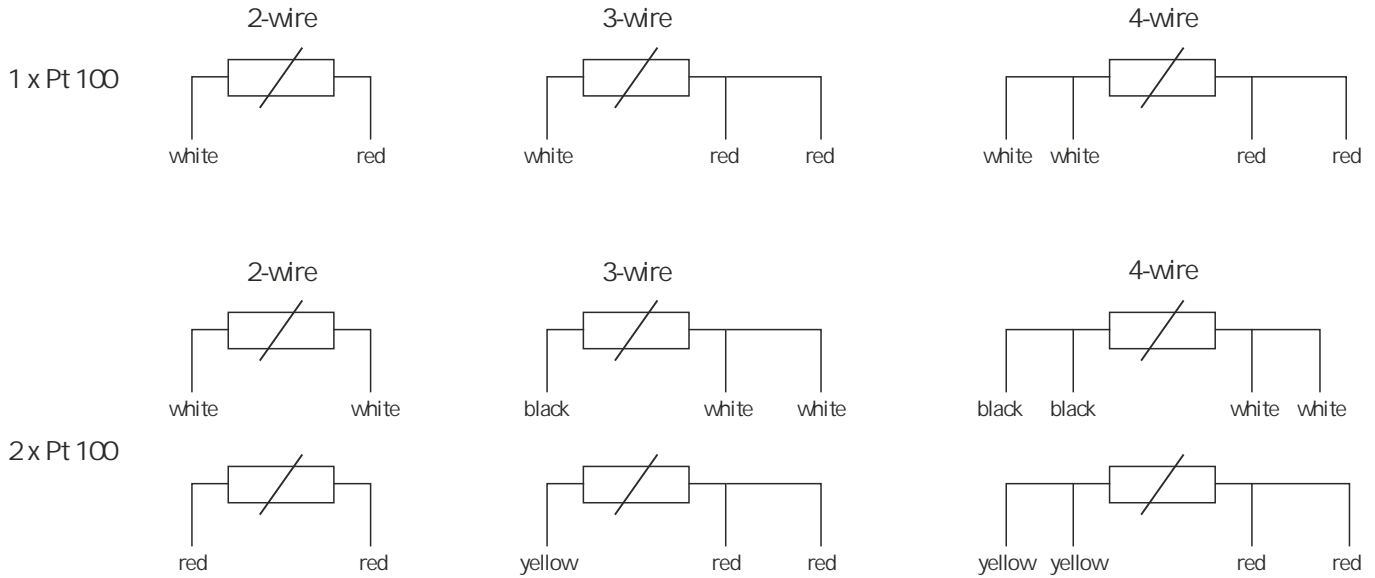


RESISTOR TOLERANCE ACC. TO PN-EN 60751

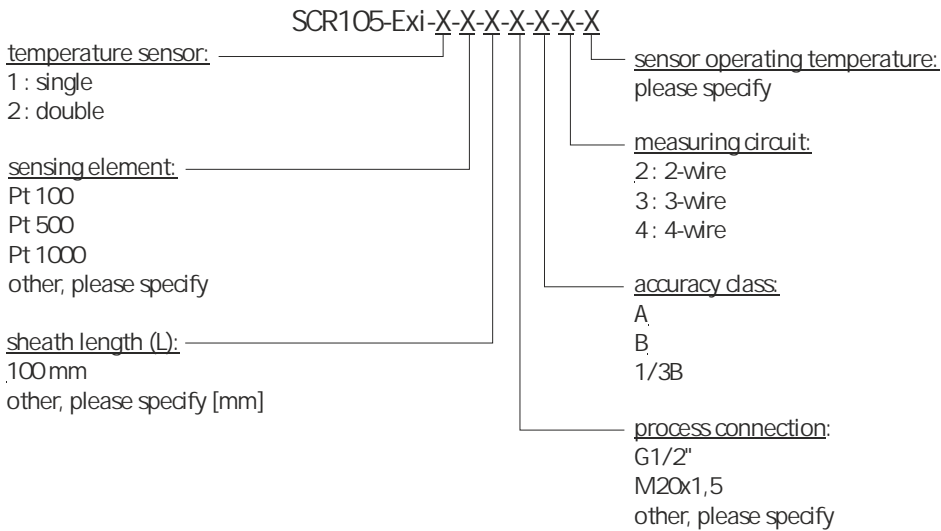
Class	Tolerance [$^{\circ}\text{C}$]
1/3B	$t = 0,10 + 0,002 \times t $
A	$t = 0,15 + 0,002 \times t $
B	$t = 0,30 + 0,005 \times t $



ELECTRICAL CONNECTION



ORDERING



Ordering example:

SCR105-Exi-1-Pt100-100-G1/2"-B-2-100

Single RTD intrinsically safe temperature sensor, 1xPt100, B tolerance class, 2-wire, process connection G1/2", sheath length 100 mm, max. operating temperature 100°C.

