

SCR107-Exi



- temperature range $-40 \div 200^{\circ}\text{C}$
- MA type connection head
- operating temperature of connection heads max. 100°C
- stainless steel sheath
- outer thermowell with process connection

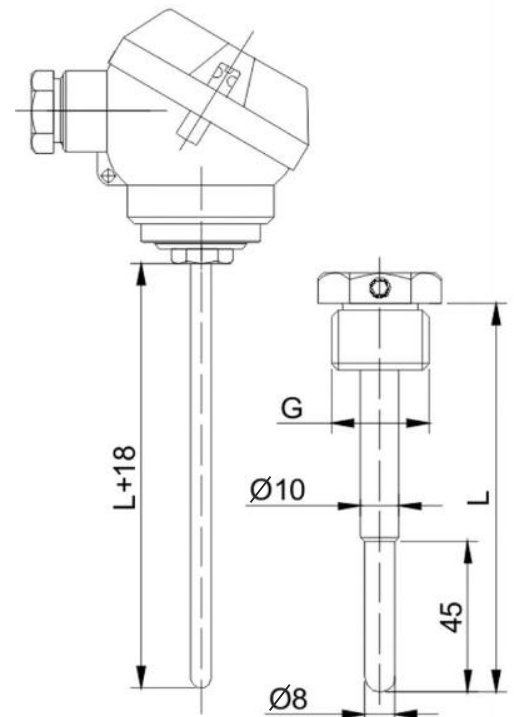
Resistance thermometer SCR107-Exi consists of a non-exchangeable measuring insert, outer protective tube with threaded process connection (thermowell), and aluminum connection head. Miniature connection head MA type reduces the size of complete sensor construction to make possible installation in confined areas.

Application areas

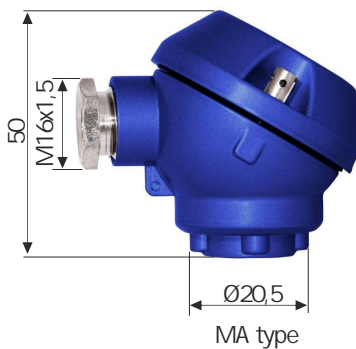
- fine chemical industry,
- light energy industry,
- general industrial services

TECHNICAL DATA

| | |
|---------------------|--|
| Sensing element | Pt100, Pt500 or Pt1000 (2-, 3- or 4-wire) |
| Measuring range | $-40 \div 200^{\circ}\text{C}$ |
| Connection head | MA, aluminum, operating temperature $-40 \div 100^{\circ}\text{C}$ |
| Class | A, B or 1/3 B |
| Separate thermowell | material: stainless steel 1.4541 or other nominal length: 100 mm (standard) or other diameter: 8 / 10 mm |
| Process connection | G1/2", M20x1,5 or other |
| ATEX approval | II 1G Ex ia IIC T4-T1 Ga; II 1D Ex ia IIIC T135°C:-450°C Da |



CONNECTION HEAD

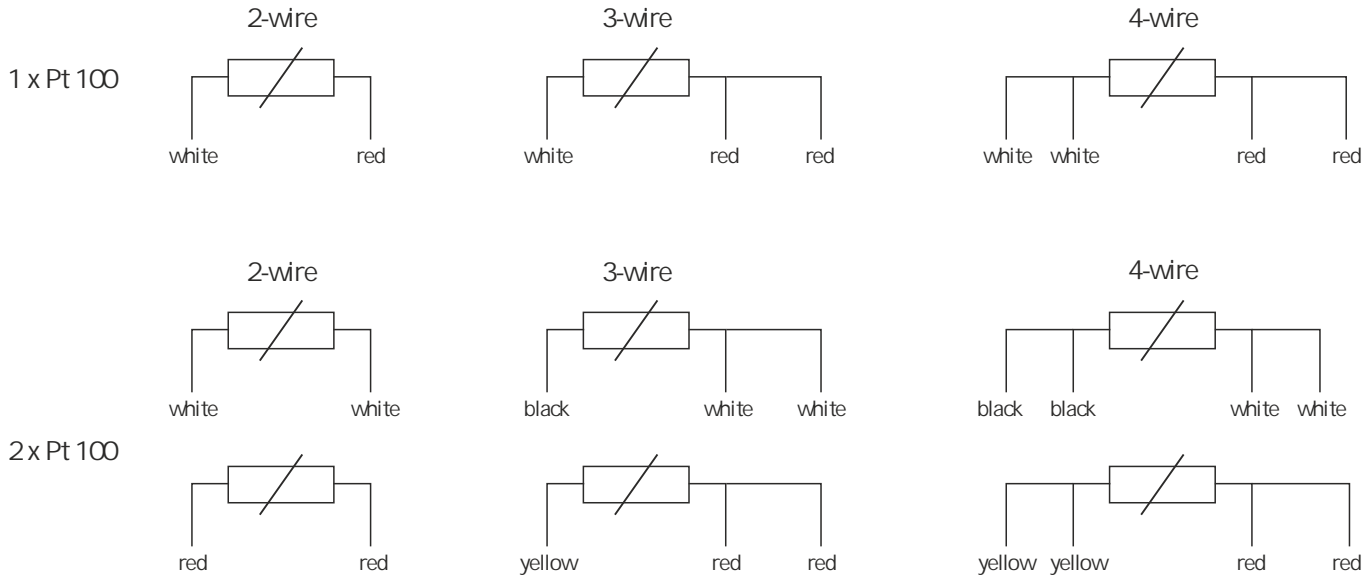


RESISTOR TOLERANCE ACC. TO PN-EN 60751

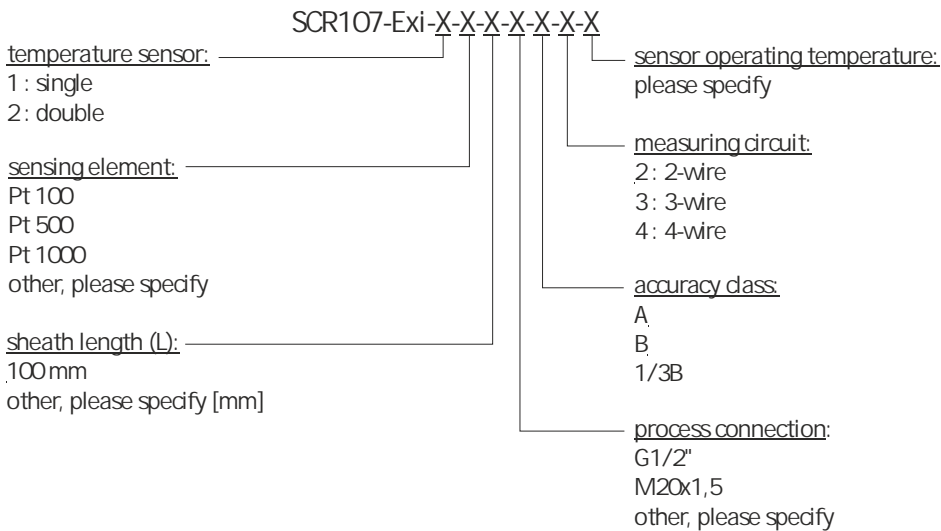
| Class | Tolerance [$^{\circ}\text{C}$] |
|-------|----------------------------------|
| 1/3B | $t = 0,10 + 0,002 \times t $ |
| A | $t = 0,15 + 0,002 \times t $ |
| B | $t = 0,30 + 0,005 \times t $ |



ELECTRICAL CONNECTION



ORDERING



Ordering example:

SCR107-Exi-1-Pt100-100-G1/2"-B-2-150

Single RTD intrinsically safe temperature sensor, 1xPt100, B tolerance class, 2-wire, process connection G1/2", sheath length 100 mm, max. operating temperature 150°C.

