



SCR120-Exi

- temperature range $-40 \div 550^{\circ}\text{C}$
- operating temperature of connection heads max. 150°C
- mounting in additional sheath
- sensor with a replaceable measuring insert
- measuring insert sheath AISI316 (1.4401)
- spring-loaded insert ensures an excellent connection with the thermowell
- possibility of mounting a 4...20mA temperature transmitter

The resistance thermometer SCR120-Exi consists of an exchangeable measuring insert, a spacer with a mounting stub and an aluminum connection head in which it is possible to install a programmable temperature transmitter with a 4-20 mA output signal. The measuring insert is a replaceable element of the complete sensor, which significantly reduces the time and costs of servicing the measuring equipment on site. The spring-loaded mounting of the measuring insert ensures its perfect pressure to the bottom of the protective pipe installed on the facility, which shortens the response time to temperature changes and increases measurement accuracy and reduces natural vibrations, which translates into avoiding mechanical and electrical damage. The immersion length, process connection thread, spacer length and sensor head can be selected depending on the application needs/requirements.

Application areas

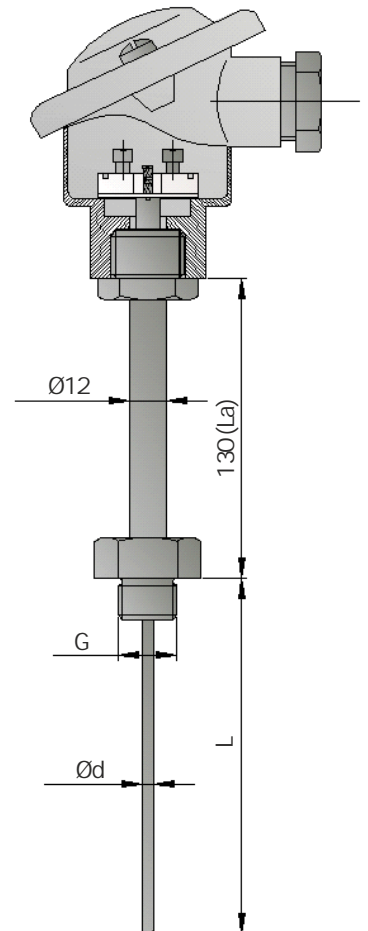
- installations of technological processes in all industries,
- mechanical engineering,
- heating, air conditioning and ventilation installations.

TECHNICAL DATA

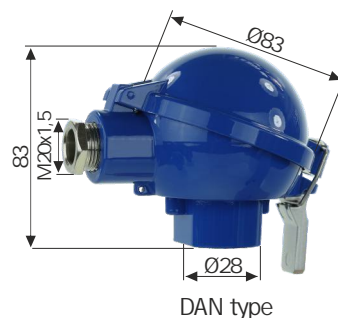
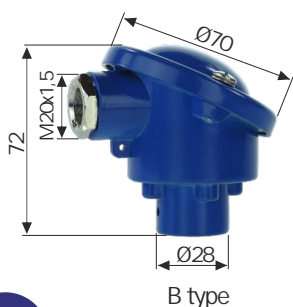
Sensing element	Pt100, Pt500 or Pt1000 (2-, 3- or 4-wire)
Measuring range	$-40 \div 550^{\circ}\text{C}$
Connection head	B, NA or other, operating temperature $-40 \div 150^{\circ}\text{C}$
Class	A, B or 1/3 B
Measuring insert	mineral insulated or tube material: stainless steel AISI316 (1.4401) any nominal length (specified when ordering) diameter: 8, 9, 10, 11, 12, 15 mm
Process connection	G1/2, M20x1,5 or other
ATEX approval	II 1G Ex ia IIC T4-T1 Ga; II 1D Ex ia IIIC T135°C;-450°C Da

RESISTOR TOLERANCE ACC. TO PN-EN 60751

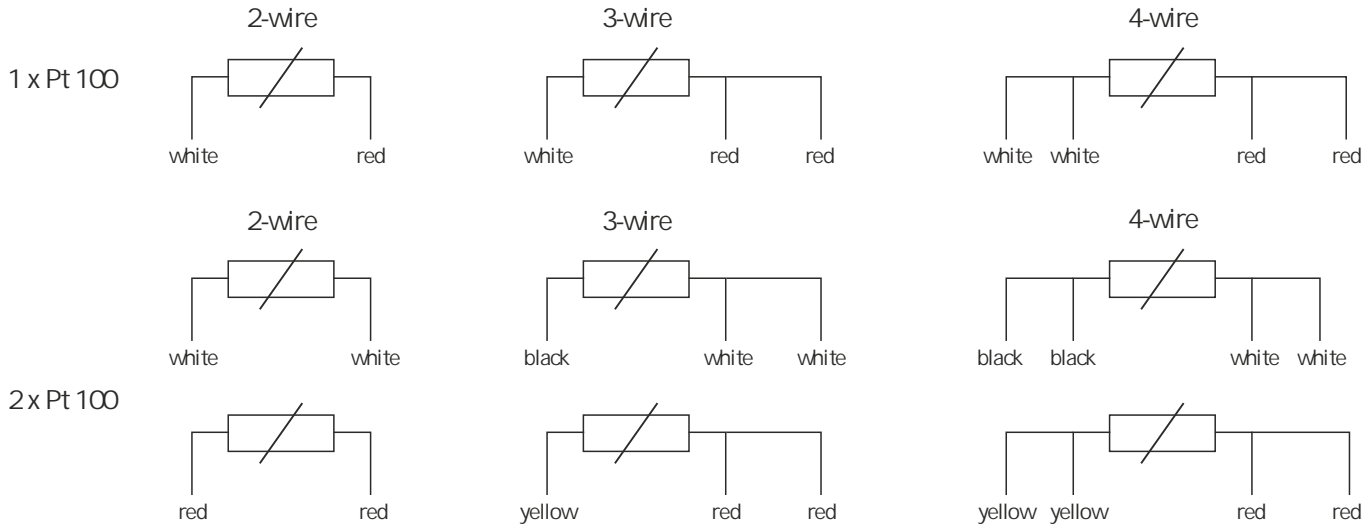
Class	Tolerance [$^{\circ}\text{C}$]
1/3B	$t = 0,10 + 0,002 \times t $
A	$t = 0,15 + 0,002 \times t $
B	$t = 0,30 + 0,005 \times t $



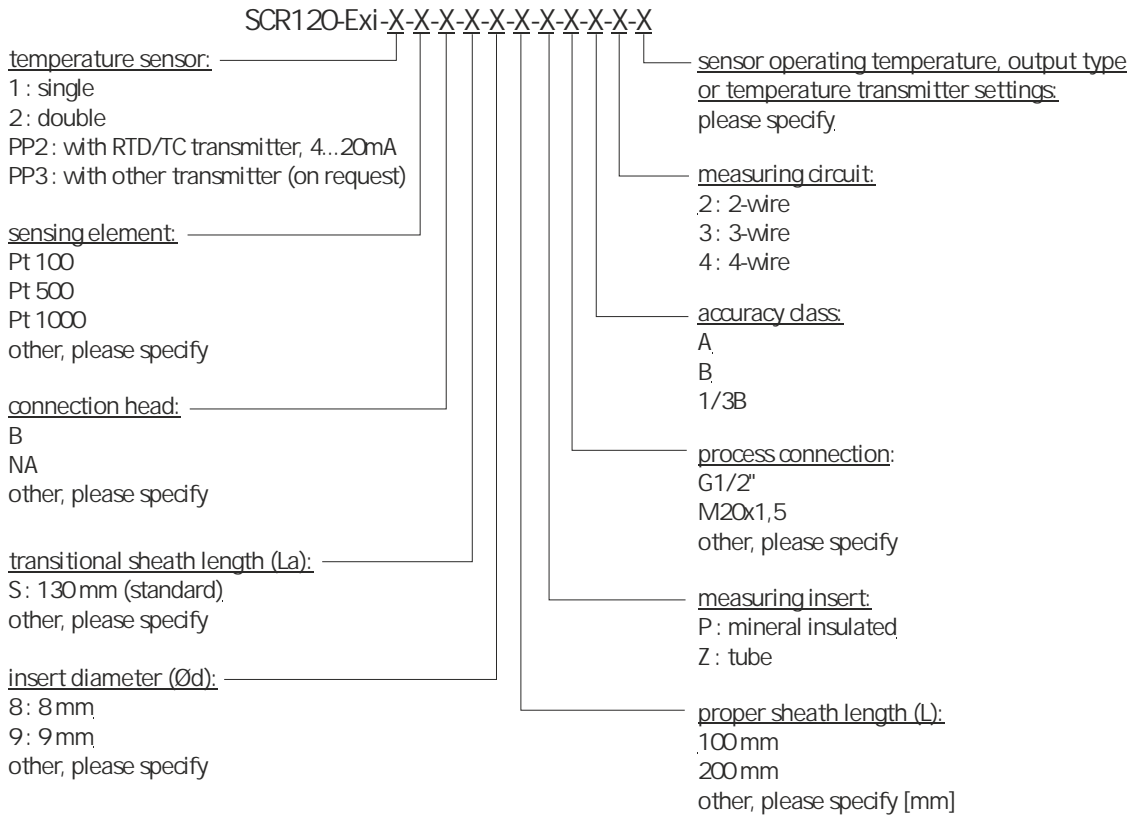
CONNECTION HEAD TYPES



ELECTRICAL CONNECTION



ORDERING



Ordering example:

SCR120-Exi-1-Pt100-B-S-9-100-P-M20x1,5-A-2-500

Single RTD intrinsically safe temperature sensor, 1xPt100, B tolerance class, 2-wire, with mineral insulated measuring insert diameter 9 mm and length 100 mm, B head type, process connection M20x1,5 mm, max. operating temperature 500°C.

