

SCR122-Exi



- temperature range $-40 \div 550^{\circ}\text{C}$
- operating temperature of connection heads max. 150°C
- stainless steel stepped sheath
- sensor with a replaceable measuring insert
- possibility of mounting a 4...20mA temperature transmitter

The resistance thermometer SCR122-Exi is intended for measuring the temperature of pipelines, tanks, machines and devices in various industrial installations. The sensor consists of an aluminum connection head and a stepped sheath of a selected diameter, which results in increased measurement dynamics. The sensor is made with a replaceable measuring insert, which makes it possible to regenerate the element without having to dismantle the entire cover.

Application areas

- industrial and technological installations in various industries,
- temperature measurement of pipelines, tanks, boilers,
- measurement of all media (gases, liquids, solids).

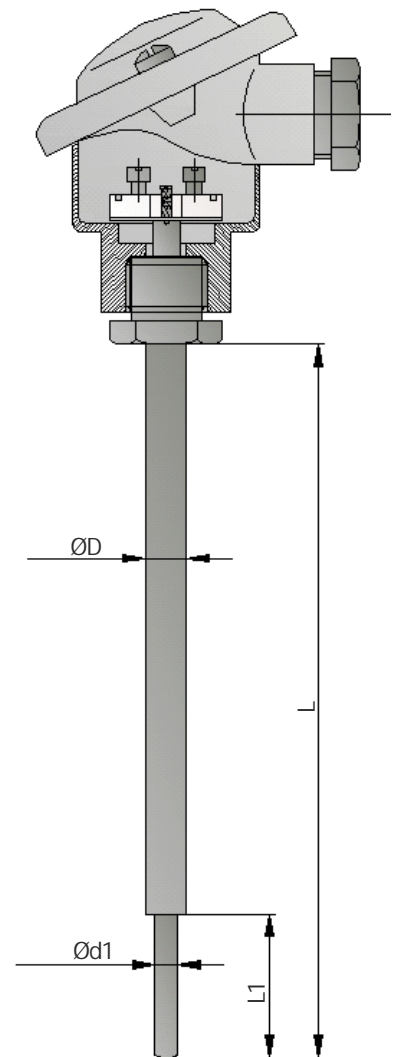
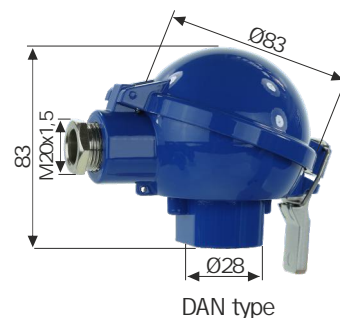
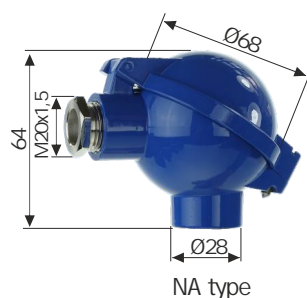
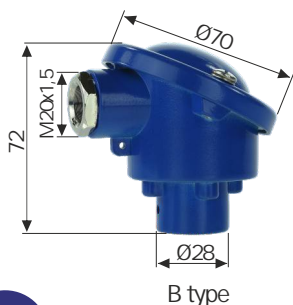
TECHNICAL DATA

Sensing element	Pt100, Pt500 or Pt1000 (2-, 3- or 4-wire)
Measuring range	$-40 \div 550^{\circ}\text{C}$ (with replaceable insert); $-40 \div 450^{\circ}\text{C}$ (with non-replaceable insert)
Connection head	B, NA or other, operating temperature $-40 \div 150^{\circ}\text{C}$
Class	A, B or 1/3B
Sheath	material: stainless steel 1.4541 nominal length: 100 mm or other (specified when ordering) diameter d1: 3, 4, 4.5, 5, 6, 7, 8, 9, 10, 11, 12, 15 mm (with non-replaceable insert), 8, 9, 10, 11, 12, 15 mm (with replaceable insert)
ATEX approval	II 1G Ex ia IIIC T4-T1 Ga; II 1D Ex ia IIIC T135°C-450°C Da

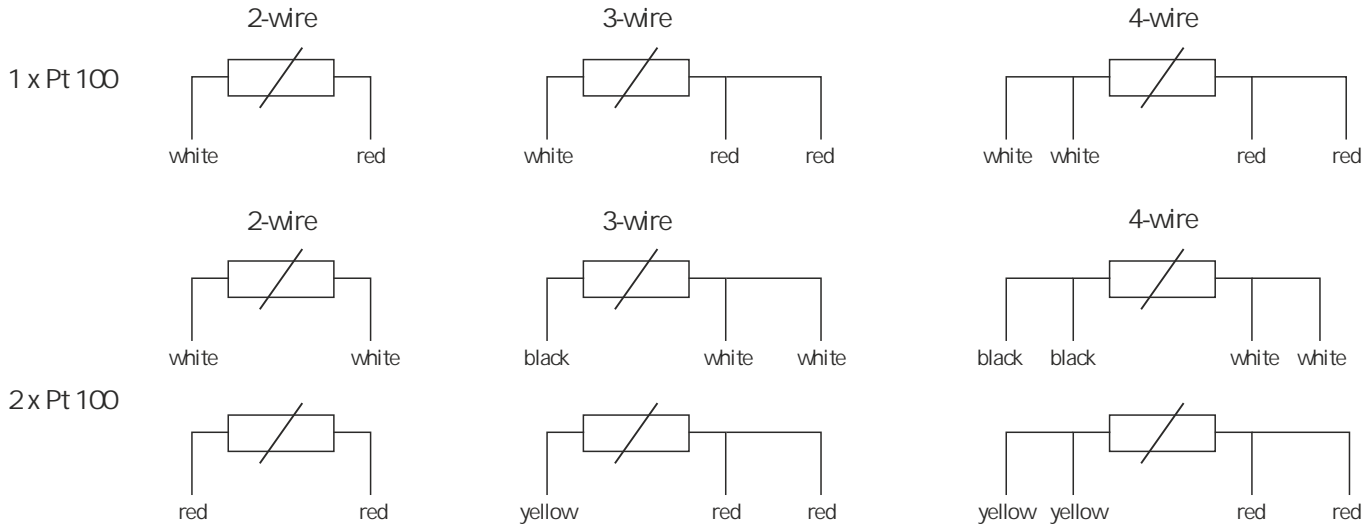
RESISTOR TOLERANCE ACC. TO PN-EN 60751

Class	Tolerance [$^{\circ}\text{C}$]
1/3B	$t = 0,10 + 0,002 \times t $
A	$t = 0,15 + 0,002 \times t $
B	$t = 0,30 + 0,005 \times t $

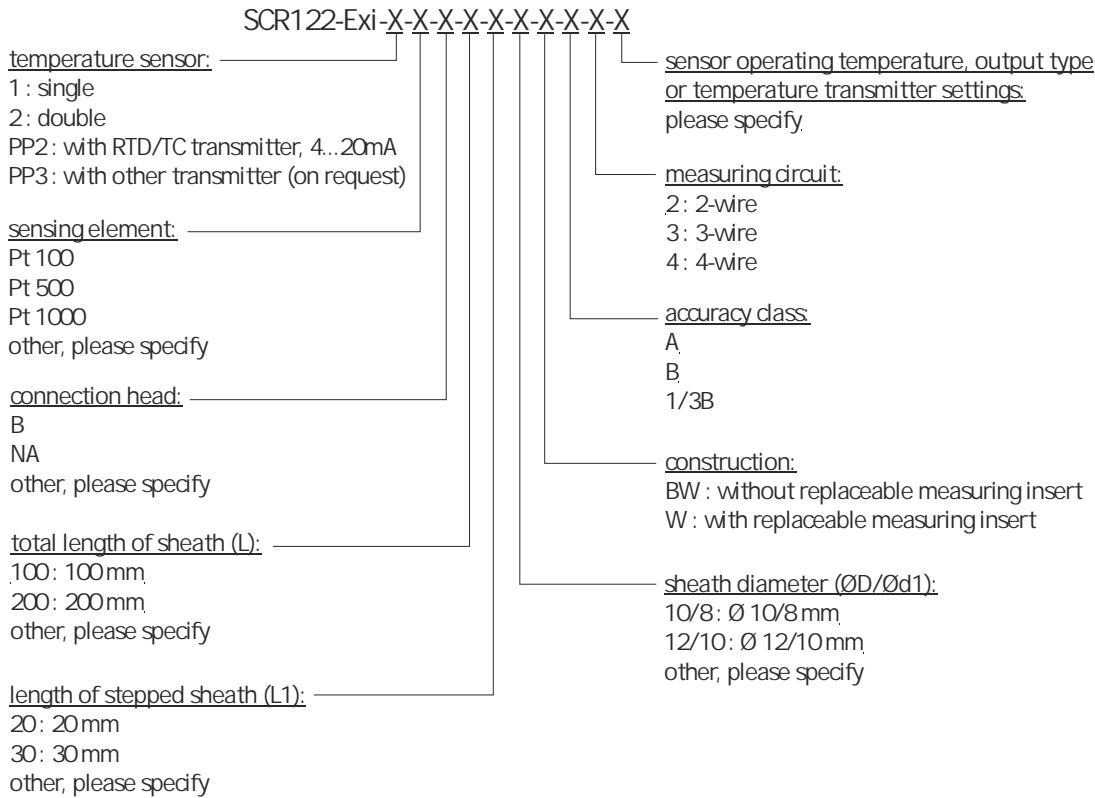
CONNECTION HEAD TYPES



ELECTRICAL CONNECTION



ORDERING



Ordering example:

SCR122-Exi-1-Pt500-B-100-30-10/8-W-B-2-500

Single RTD intrinsically safe temperature sensor, 1xPt500, B tolerance class, 2-wire, with replaceable measuring insert, B head type, pressure sheath diameter 10 mm, length 100 mm, stepped part with a length of 30 mm and a diameter of 8 mm, max. operating temperature 500°C.

