



SW-BCD-94

- universal indicator with serial and parallel input
- 4 strobe inputs, 16 data inputs
- RS-485 / Modbus RTU
- SLAVE
- choice of number of strobe inputs and strobe signal type
- choice of input and displayed data type
- display brightness adjustable in 8 steps

The SW-BCD-94 indicator can be used as the indicator output for PLCs to display data in the binary, bcd or byte format or to show typical information transmitted over the RS-485 interface.

Depending on the parameter settings, the indicator can display:

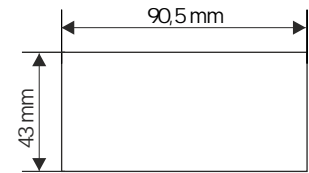
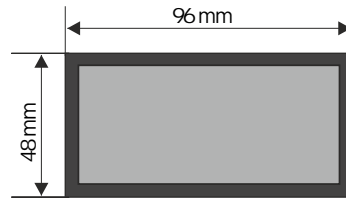
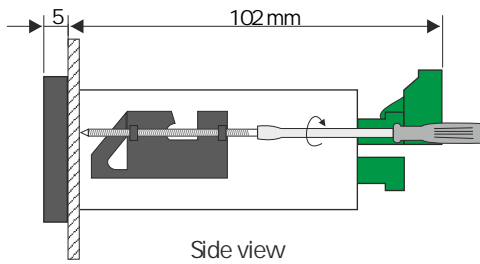
- digits (0-9), with programmable decimal point,
- binary data (0-9, A-F), showing the statuses of e.g. the address lines, data lines, etc.
- various messages and text which can be created on the 7-segment digital displays.

TECHNICAL DATA

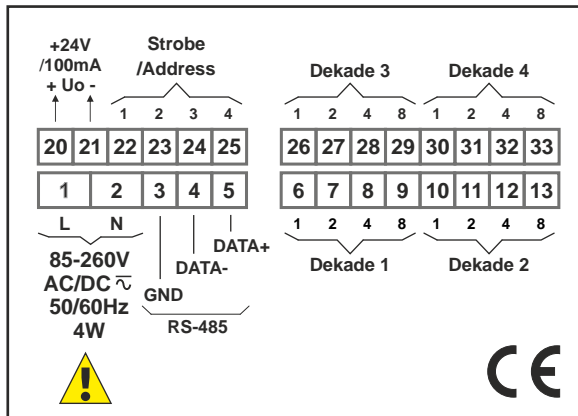
Power supply	19V ÷ 50V DC; 16V ÷ 35V AC or 85 ÷ 260V AC/DC or 12V AC/DC, all separated
Power consumption	for 12V AC/DC, 85 ÷ 260V AC/DC and 16V ÷ 35V AC power supply: max. 4.5 VA; for 19V ÷ 50V DC power supply: max. 4.5 W
Display	LED, 4 x 20 mm, red (green - on request), with 8-step adjustment of brightness
Displayed values	4 digits (-999 ÷ 9999 plus decimal point) or any of character indication in range of 7-segments display
Parallel inputs	4 strobe inputs, 16 data inputs (4 decades, 4 bits/decade)
Strobe pulse width	min. 100ms
Input levels	low: 0V ÷ 2V; high: 4V ÷ 24V
Power supply output	24V DC +5%, -10% / max. 100mA, stabilized
Communication interface	RS-485, Modbus RTU (not galvanically isolated)
Transmission speed	adjustable in range from 1200 to 115200 bit/sek.
Transmission parameters	8N1 and 8N2
Operating temp.	0°C ÷ +50°C (standard), -20°C ÷ +50°C (option)
Storage temp.	-10°C ÷ +70°C (standard), -20°C ÷ +70°C (depending on option)
Protection class	IP 65 (front), optional integrated frame for panel cut-out sealing; IP 20 (case and connection clips)
Case	panel mounting; material: NORYL - GFN2S E1
Dimensions	<u>case (WxHxD):</u> 96 x 48 x 100 mm <u>panel cut-out dimensions:</u> 90.5 x 43 mm <u>installation depth:</u> min. 102 mm <u>board thickness:</u> standard 7 mm or other depending on used board thickness brackets (see Accessories)
Weight	210g max.



DIMENSIONS



EXAMPLARY PIN ASSIGNMENTS



ORDERING

SW-BCD-94-A700-1-X-XX1

options

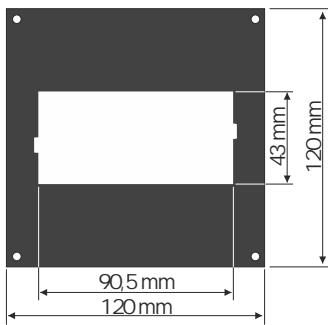
- 00: no options
- 01: integrated frame for panel cut-out sealing
- 08: operating temp. -20°C ÷ +50°C
- 0P: integrated frame for panel cut-out sealing
+ operating temp. -20°C ÷ +50°C

power supply:

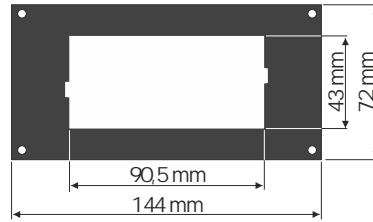
- 3: 24V AC/DC
- 4: 85V ÷ 260V AC/DC
- 5: 12V AC/DC



MOUNTING PLATES



SMP-99/94
to mount 96 x 48 mm
size unit in place
of 96 x 96 mm cut-out



SMP-147/94
to mount 96 x 48 mm
size unit in place
of 144 x 72 mm cut-out

BOARD THICKNESS BRACKETS / ADAPTORS



SPH-07
1 ÷ 7 mm board thickness
brackets (2 pcs)
standard included with device



SPH-45
1 ÷ 45 mm board thickness
brackets (2 pcs)

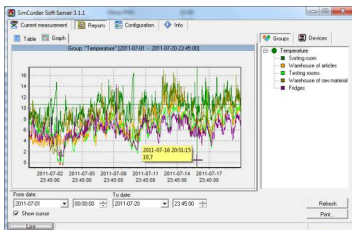


SPH-05
1 ÷ 5 mm board thickness
brackets (2 pcs)



SRH-94
brackets for mounting devices
on DIN 35/7.5 or 15 rail (2 pcs)

SOFTWARE



SimCorder Soft is a visualisation application created to facilitate work with advanced networks of the SIMEX devices, for acquisition, visualisation, reporting, archiving, exporting and printing of measurement data from all network devices. You can download measurements from the devices automatically or on demand. There is a possibility of immediate notification about emergency states via SMS or e-mail, which will often allow to quickly resolve an arising problem while avoiding long and expensive stoppages. You can view the measurement data, emergency states and configuration via the internet at every time.

CONVERTERS



The SRS-U4 module is designed to connect a USB host to slave devices equipped with RS-485 interface. The PC with special software can be used as a host. The SRS-U4 unit guarantees full galvanic isolation between USB and RS-485 circuits. The converter can work with any devices equipped with RS-485 interface and contains integrated circuit which supports USB 1.1 and USB 2.0 standards. The main purpose is connection of PC host computer with industrial data acquisition and visualisation systems based on RS-485 interface.

The SRS-U4 can be also manufactured with DIN mounting adaptor.

