

CCE-18.601 G



- pressure transmitter
- for low pressure
- nominal pressure: from 0...100mbar up to 0...6 bar
- output signals: 2-wire: 4...20 mA; 3-wire: 0...10V
- piezoresistive stainless steel sensor
- accuracy 0.5 % span



PREFERRED AREAS OF USE ARE



Plant and Machine Engineering



HVAC



Laboratory

TECHNICAL DATA

Input pressure range													
Nominal pressure gauge	[bar]	0.1	0.16	0.25	0.4	0.6	1	1.6	2.5	4	6		
Overpressure	[bar]	1	1	1	1	3	3	6	10	10	21		
Burst pressure	[bar]	1.5	1.5	1.5	1.5	5	5	10	17.5	17.5	35		
Vacuum resistance		unlimited											
Output signal / Supply													
Standard		2-wire: 4 ... 20 mA		/	V _S = 8 ... 32 V _{DC}								
Options 3-wire		3-wire: 0 ... 10 V		/	V _S = 14 ... 30 V _{DC}								
		3-wire ratiometric: 10 ... 90 % of V _S		/	V _S = 2.7 ... 5 V _{DC}								
Performance													
Accuracy ¹		P _N > 160 mbar: ± 0.5 % span P _N 160 mbar: ± 1 % span											
Permissible load		2-wire: R _{max} = [(V _S - V _{S min}) / 0.02 A] W 3-wire: R _{min} = 10 kW											
Influence effects		supply: 0.05 % span / 10 V load: 0.05 % span / kW											
Response time		2-wire: 10 msec					3-wire: 3 msec						
Long term stability		± 0,2 % span / year at reference conditions											
Measuring rate		1 kHz											
¹ accuracy according to EN IEC 62828-2- limit point adjustment (non-linearity, hysteresis, repeatability)													
Thermal effects (offset and span) / Permissible temperatures													
Thermal error		± 0.3 % span / 10 K				in compensated range 0 ... 70 °C							
Permissible temperatures		medium: -25 ... 125 °C				electronics / environment: -25 ... 85 °C				storage: -40 ... 85 °C			
Electrical protection													
Short-circuit protection		permanent					3-wire ratiometric: none						
Reverse polarity protection		no damage, but also no function											
Electromagnetic compatibility		emission and immunity according to EN 61326											
Mechanical stability													
Vibration		10 g, 25 Hz ... 2 kHz					according to DIN EN 60068-2-6						
Shock		100 g / 1 msec					according to DIN EN 60068-2-27						
Materials													
Pressure port / housing		stainless steel 1.4301 (304)											
Seals		FKM											
Diaphragm		stainless steel 1.4435 (316 L)											
Media wetted parts		pressure port, seals, diaphragm											



Miscellaneous	
Weight	approx. 120 g
Current consumption	2-wire: max. 25 mA 3-wire ratiometric: typ. 1.5 mA 3-wire voltage: max. 7 mA (short circuit current: max. 20 mA)
Operational life	100 million load cycles
CE-conformity	EMC Directive: 2014/30/EU

ELECTRICAL CONNECTION

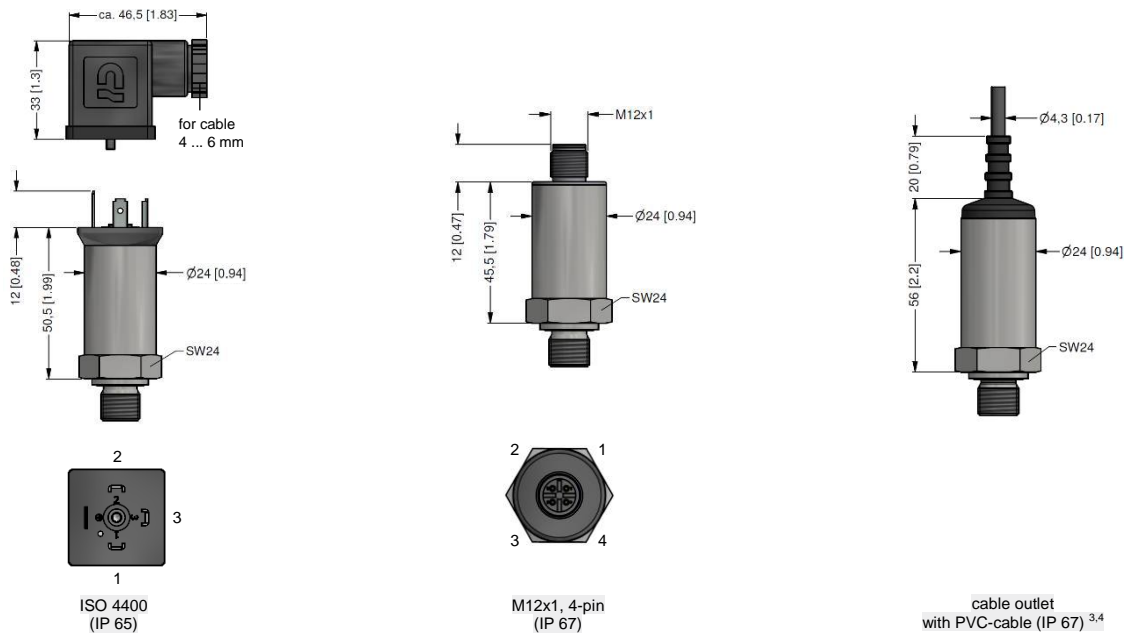
Wiring diagrams

2-wire-system (current)

3-wire-system (voltage)

Pin configuration

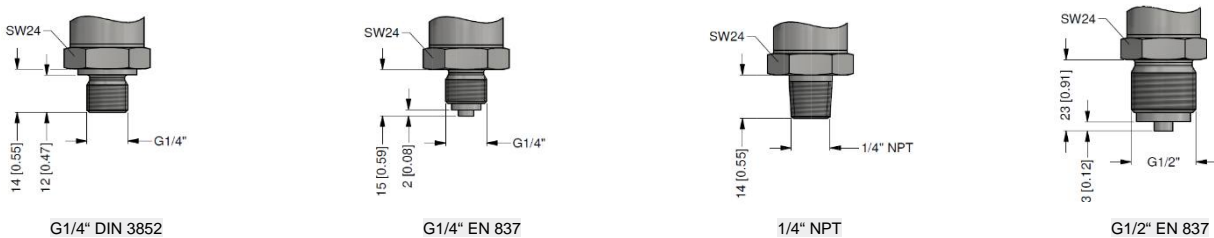
Electrical connection	ISO 4400	M12x1 (4-pin), metal	cable colour (IEC 60757)
Supply +	1	1	WH (white)
Supply -	2	2	BN (brown)
Signal + (for 3-wire)	3	3	GN (green)
Shield	ground pin	4	GNYE (green-yellow)



³ standard: 2 m PVC cable without ventilation tube (permissible temperature: -5 ... 70 °C)

⁴ different cable types and lengths available, permissible temperature depends on kind of cable

MECHANICAL CONNECTION



ORDER CODE

CCE-18.601G- - - - - - -

Input [bar]									
0 ... 0,1	1	0	0	0					
0 ... 0,16	1	6	0	0					
0 ... 0,25	2	5	0	0					
0 ... 0,4	4	0	0	0					
0 ... 0,6	6	0	0	0					
0 ... 1	1	0	0	1					
0 ... 1,6	1	6	0	1					
0 ... 2,5	2	5	0	1					
0 ... 4	4	0	0	1					
0 ... 6	6	0	0	1					
Customer	9	9	9	9					
Customer underpressure	X	X	X	X					
Output									
4 ... 20 mA / 2-wire					1				
0 ... 10 V / 3-wire					3				
Customer					9				
Accuracy									
0.5 % (P _N > 160 mbar)					5				
1 % (P _N ≤ 160 mbar)					8				
Customer					9				
Electrical connection									
Connector ISO 4400 (IP 65) - plug included					1	0	0		
Connector ISO 4400 (IP 65) - without plug					1	0	3		
Connector M12 x 1, 4-pin (IP 67) - plug included					M	0	0		
Connector M12 x 1, 4-pin (IP 67) - without plug					M	B	S		
Connector M12 x 1, 4-pin (IP 67) - metal - plug included					M	1	0		
Connector M12 x 1, 4-pin (IP 67) - metal - without plug					M	1	H		
Cable outlet / cable length specify (IP 67) ¹					T	A	0		
+ PVC cable / 1 m									
Customer					9	9	9		
Mechanical connection									
G 1/2" DIN 3852					1	0	0		
G 1/2" EN 837					2	0	0		
G 1/4" DIN 3852					3	0	0		
G 1/4" EN 837					4	0	0		
G 1/4" internal					J	0	0		
1/4" NPT					N	4	0		
Customer					9	9	9		
Seals									
Viton (FKM)								1	
Customer								9	
Special version									
Standard								0	0
Customer								9	9

1 - cable without through capillary (permissible temperature -5 ... +70°C)

Manufacturer reserves the right to change sensor specifications without further notice.

