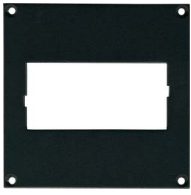


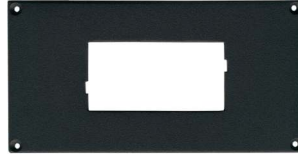
MOUNTING PLATES



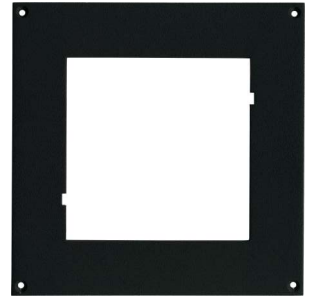
SMP-99/94
to mount 96 x 48 mm
size unit in place
of 96 x 96 mm cut-out



SMP-147/94
to mount 96 x 48 mm
size unit in place
of 144 x 72 mm cut-out



SMP-147/73
to mount 72 x 36 mm
size unit in place
of 144 x 72 mm cut-out



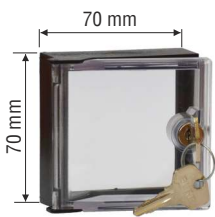
SMP-1414/99
to mount 96 x 96 mm
size unit in place
of 144 x 144 mm cut-out

DIN RAIL BRACKETS



TS-35 DIN rail brackets:
SRH-77/147: for 96 x 48 mm case
SRH-94: for 96 x 48 mm case
SRH-99: for 96 x 96 mm case

SECURITY DOOR WITH LOCK



STD-77
transparent IP 54 door
with lock for 72 x 72 mm case



STD-99
transparent IP 54 door
with lock for 96 x 96 mm case

Transparent door with moulded frame acc. to DIN 43700, lockable with security key. Door and frame are made by injection moulding thus assuring an exact fit, an optimal choice of a material which is very strong and with no risk of corrosion; perfect seal-protective system IP 54 provided by all-round soft rubber sealing the moulding; door does not swing in or out sideways on opening; door-frame and frontframe can be exchanged.



MOUNTING BRACKETS



SPH-07
 1 ÷ 7 mm board thickness
 brackets (2 pcs)
standard included with device



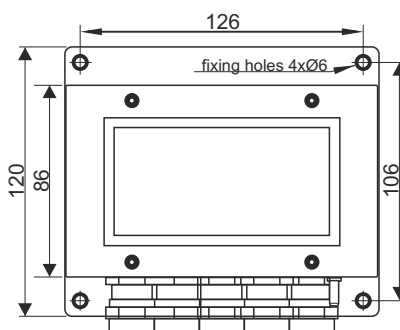
SPH-05
 1 ÷ 5 mm board thickness
 brackets (2 pcs)



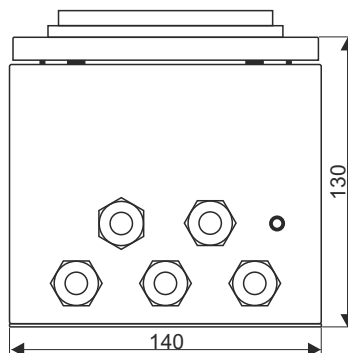
SPH-45
 1 ÷ 45 mm board thickness
 brackets (2 pcs)

CASES

Wall mounting case, 1.4301 stainless steel



SWH-20-3

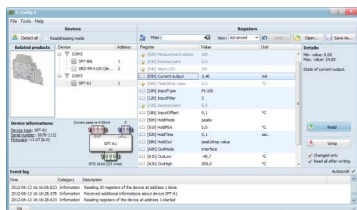


SWH-10-2

Simex offers a variety of rugged enclosures that provide a high degree of protection against harsh operating environments. Process meters and controllers can be mounted so that all programming and operational functions are available without opening the enclosure. Enclosures and meters are ordered and packaged separately.

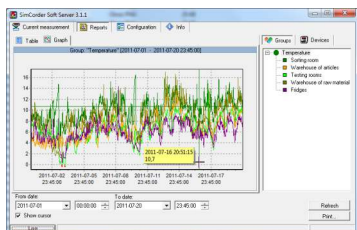


SOFTWARE



S-Config 2 is used for the simultaneous detection of devices in multiple Modbus RTU networks and allows user to change the configuration of most of them. For each detected device a list of its registers, which the user can modify, is displayed and also additional informations about device parameters (type, address in the network, etc.).

S-Config software can be downloaded from SIMEX website at www.simex.pl



SimCorder Soft is a visualisation application created to facilitate work with advanced networks of the SIMEX devices, for acquisition, visualisation, reporting, archiving, exporting and printing of measurement data from all network devices. You can download measurements from the devices automatically or on demand. There is a possibility of immediate notification about emergency states via SMS or e-mail, which will often allow to quickly resolve an arising problem while avoiding long and expensive stoppages. You can view the measurement data, emergency states and configuration via the internet at every time.

CONVERTERS



SRS-U4

The converter is designed to connect a USB host to slave devices equipped with RS-485 interface. The PC with special software can be used as a host. The **SRS-U4** unit guarantees full galvanic isolation between USB and RS-485 circuits. The converter can work with any devices equipped with RS-485 interface and contains integrated circuit which supports USB 1.1 and USB 2.0 standards. The main purpose is connection of PC host computer with industrial data acquisition and visualisation systems based on RS-485 interface. The **SRS-U4** can be also manufactured with DIN mounting adaptor.

REMOTE CONTROLLER



The **SIR-25** infraRed remote control may be used as external programming keyboard for all SIMEX devices equipped with IR receivers and remote programming functions. Pressing of any local IR controller key, causes transmission of it's code to the device. The remote control features a five-button keyboard, including the **F/S/RESET** function button dedicated to the operation of the devices in the following group: counters, flow meters, and tachometers. Functions of particular keys depend on devices features.

Power supply voltage: 3V DC - 1 lithium battery CR2032 type
 Operation range: from 0,5 to 5 m (depend on programmed device features)

JUNCTION BOX



SP-4 or SP-6

Load cell junction box for weight meters
 Junction box allows for quick and easy connection from 2 up to 6 load cells in multisensor systems, such as tank scales. The large enclosure of the junction box lets you put excess cable of the load cells inside the box (the cable length shortening is not recommended).

